



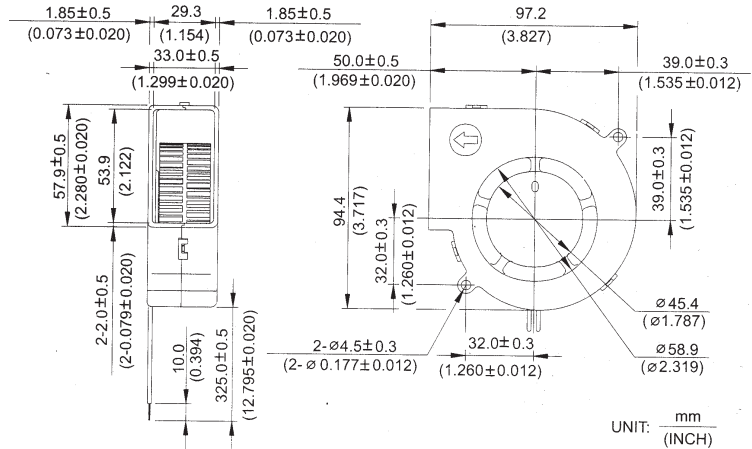
**USTF97B33 Series**

**Size:** 3.827 x 3.717 x 1.299 in. thk  
(97mm x 94mm x 33mm thk.)

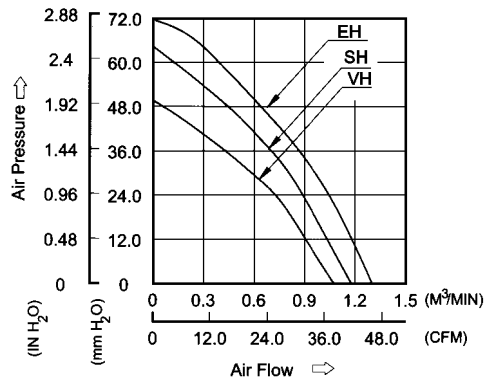
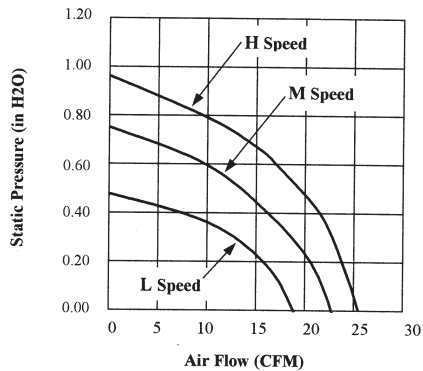
**Airflow:** 19.1 - 46.0 CFM

**Acoustical Noise:** 45 - 64 dB (A)

- MATERIAL:** Frame - Black PBT (UL 94V-0)  
Bearings - Ball  
Impeller - Black PBT (UL 94V-0)
- WEIGHT:** 6.35 oz. (180 g)
- TERMINATION:** Lead Wires (UL 1007, AWG24 or equivalent)
- OPERATION TEMPERATURE:** -10° to +70° C
- INSULATION RESISTANCE:** 10 megohms min @ 500 VDC
- DIELECTRIC STRENGTH:** 500 VAC for 1 min.
- INSULATION:** Class A
- SAFETY:** Impedance & Polarity Protected
- SAFETY APPROVALS:** UL, CSA & CE
- OPERATING VOLTAGE:** SEE TABULATION



**PERFORMANCE CURVES:** (Obtained with test chamber and methods in accordance with AMCA Std. 210-74)



**SPECIFICATIONS:** (All values are typical)

\*Amps values shown are typical running. Fan labels show higher max values

PART NUMBER	VOLTS	OPERATING VOLTAGE RANGE (VDC)	WATTS	AMPS*	RPM	NOISE dB (A) @ 1M	CFM
USTF97B3312EHW	12VDC	7.0 to 12.6	29.40	2.45	5300	64.0	46.0
USTF97B3312SHW	12VDC	7.0 to 12.6	24.00	2.00	5000	63.0	41.7
USTF97B3312VHW	12VDC	7.0 to 13.2	18.00	1.50	4500	60.0	38.0
USTF97B3312HW	12VDC	4.0 to 13.8	9.60	0.80	3600	52.0	25.4
USTF97B3312MW	12VDC	4.0 to 13.8	6.84	0.57	3200	49.0	22.6
USTF97B3312LW	12VDC	4.0 to 13.8	3.84	0.32	2700	45.0	19.1
USTF97B3324HW	24VDC	7.0 to 27.6	9.60	0.40	3600	52.0	25.4
USTF97B3324MW	24VDC	7.0 to 27.6	6.24	0.26	3200	49.0	22.6
USTF97B3324LW	24VDC	7.0 to 27.6	3.84	0.16	2700	45.0	19.1

MODELS AVAILABLE ON REQUEST:

Failure Detector - rotation sensing - Add Suffix "SR" to part number  
Speed Controller - tach output - Add Suffix "SF" to part number