



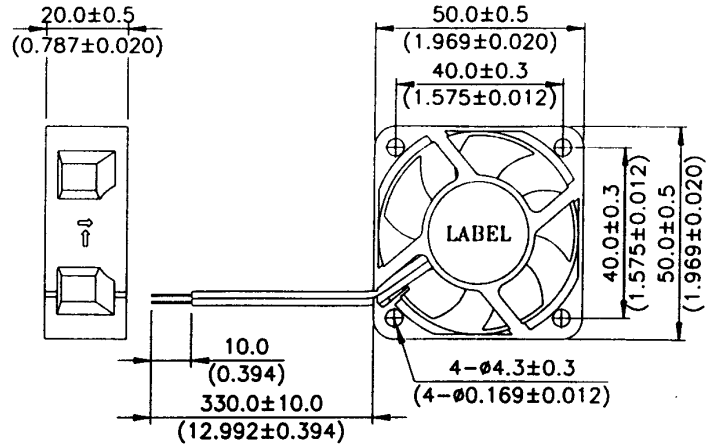
USTF5020 Series

Size: 1.97 in sq. x 0.79 in. thk
(50mm sq. x 20mm thk.)

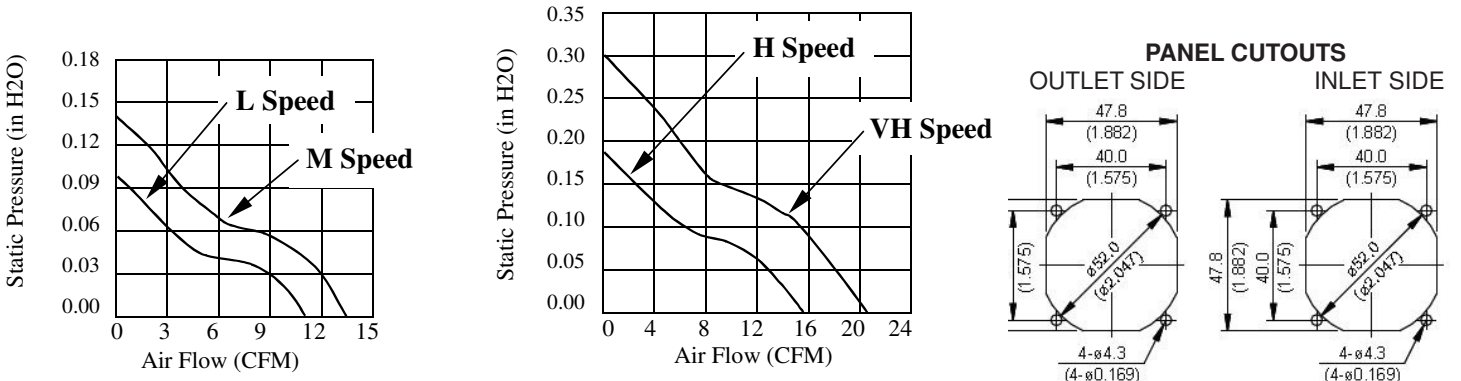
Airflow: 11.0 - 20.3 CFM

Acoustical Noise: 25.0 - 40.5 dB (A)

- MATERIAL:** Frame - Black PBT (UL 94V-0)
Bearings - Ball
Impeller - Black PBT (UL 94V-0)
- WEIGHT:** 1.34 oz. (38g)
- TERMINATION:** Lead Wires (UL 1007, AWG24 or equivalent)
- OPERATION TEMPERATURE:** -10° to +70° C
- INSULATION RESISTANCE:** 10 megohms min @ 500 VDC
- DIELECTRIC STRENGTH:** 500 VAC for 1 min.
- INSULATION:** Class A
- SAFETY:** Impedance & Polarity Protected
- SAFETY APPROVALS:** UL, CSA & CE
- OPERATING VOLTAGE:** 5 VDC (4.5 to 5.5) 12 VDC (7 to 13.8)
24VDC (14.0 to 27.6)



PERFORMANCE CURVES: (Obtained with test chamber and methods in accordance with AMCA Std. 210-74)



SPECIFICATIONS: (All values are typical)

*Amps values shown are typical running. Fan labels show higher max values

PART NUMBER	VOLTS	WATTS	AMPS *	RPM	NOISE dB (A) @ 1M	CFM
USTF502005HW	5VDC	1.65	0.33	5600	33.0	15.8
USTF502005MW	5VDC	1.00	0.20	4800	28.0	13.4
USTF502005LW	5VDC	0.70	0.14	4000	25.0	11.0
USTF502012VHW	12VDC	1.92	0.16	7000	40.5	20.3
USTF502012HW	12VDC	1.20	0.10	5600	33.0	15.8
USTF502012MW	12VDC	0.84	0.07	4800	28.0	13.4
USTF502012LW	12VDC	0.72	0.06	4000	25.0	11.0
USTF502024VHW	24VDC	2.40	0.10	7000	40.5	20.3
USTF502024HW	24VDC	1.68	0.07	5600	33.0	15.8
USTF502024MW	24VDC	1.44	0.06	4800	28.0	13.4
USTF502024LW	24VDC	1.20	0.05	4000	25.0	11.0

MODELS AVAILABLE ON REQUEST:

Failure Detector - rotation sensing - Add Suffix "SR" to part number
Speed Controller - tach output - Add Suffix "SF" to part number