



**USTF3510 Series**

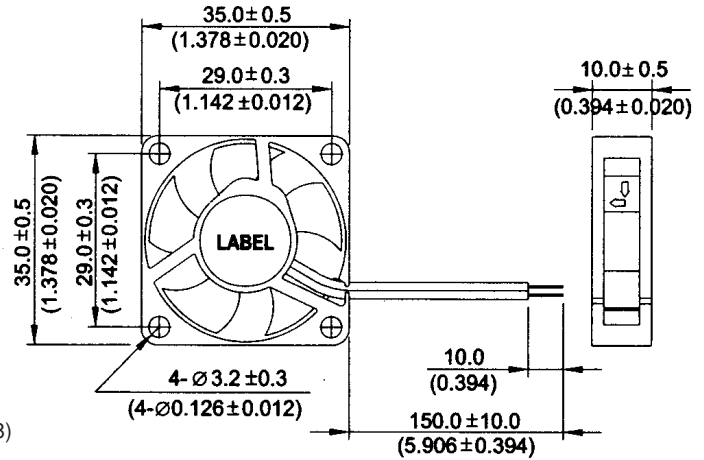
**Size:** 1.38 in sq. x 0.39 in. thk

(35mm sq. x 10mm thk.)

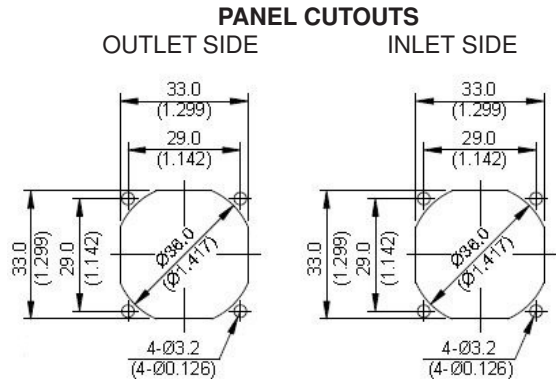
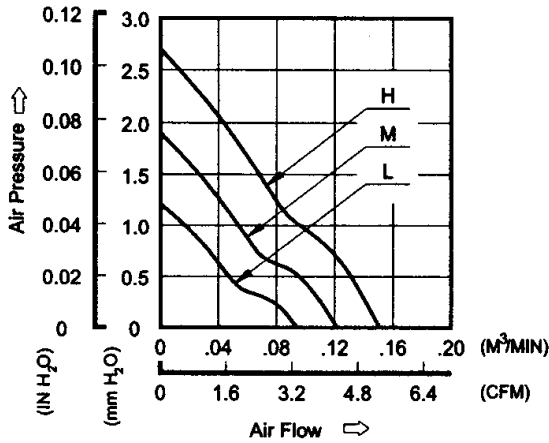
**Airflow:** 3.4 - 5.5 CFM

**Acoustical Noise:** 15.0 - 22.0 dB (A)

- MATERIAL:** Frame - Black PBT (UL 94V-0)  
Bearings - Ball  
Impeller - Black PBT (UL 94V-0)
- WEIGHT:** 0.35 oz. (10g)
- TERMINATION:** Lead Wires (UL Approved, AWG26)
- OPERATION TEMPERATURE:** -10° to +70° C
- INSULATION RESISTANCE:** 10 megohms min @ 500 VDC
- DIELECTRIC STRENGTH:** 500 VAC for 1 min.
- INSULATION:** Class A
- SAFETY:** Impedance & Polarity Protected
- SAFETY APPROVALS:** UL, CSA & CE
- OPERATING VOLTAGE:** 5 VDC (4.0 TO 5.5) - 12 VDC (9.5 to 13.8)



**PERFORMANCE CURVES:** (Obtained with test chamber and methods in accordance with AMCA Std. 210-74)



**SPECIFICATIONS:** (All values are typical)

\*Amps values shown are typical running. Fan labels show higher max values

PART NUMBER	VOLTS	WATTS	AMPS*	RPM	NOISE dB (A) @ 1M	CFM
USTF351005LW	5VDC	0.30	0.06	4500	15.0	3.4
USTF351005MW	5VDC	0.50	0.10	5800	18.0	4.5
USTF351005HW	5VDC	0.70	0.14	7000	22.0	5.5
USTF351012LW	12VDC	0.48	0.04	4500	15.0	3.4
USTF351012MW	12VDC	0.60	0.05	5800	18.0	4.5
USTF351012HW	12VDC	1.08	0.09	7000	22.0	5.5

MODELS AVAILABLE ON REQUEST:

Failure Detector - rotation sensing - Add Suffix "SR" to part number  
Speed Controller - tach output - Add Suffix "SF" to part number