



**U.S. TOYO
FAN CORP.**

USTF12038 Series

AC Ball Bearing Fans

16025 Arrow Hwy., Suite F, Irwindale, CA 91706 www.ustoyofan.com Email: sales@ustoyofan.com Tel (626) 338-1111 Fax (626) 338-1119

MATERIAL: Frame - Aluminum Alloy, Painted Black Finish
Bearings - Dual Shielded Ball
Impeller - UL94V-0 Plastic (Reinforced)

WEIGHT: 19.4 oz. (550g)

TERMINATION:
Terminal models standard (0.120 x 0.020 dual blades)
Lead wire models available on request (22ga UL approved)

OPERATION TEMPERATURE: -10° to +70° C

INSULATION RESISTANCE: 100,000 ohms min @ 500 VDC

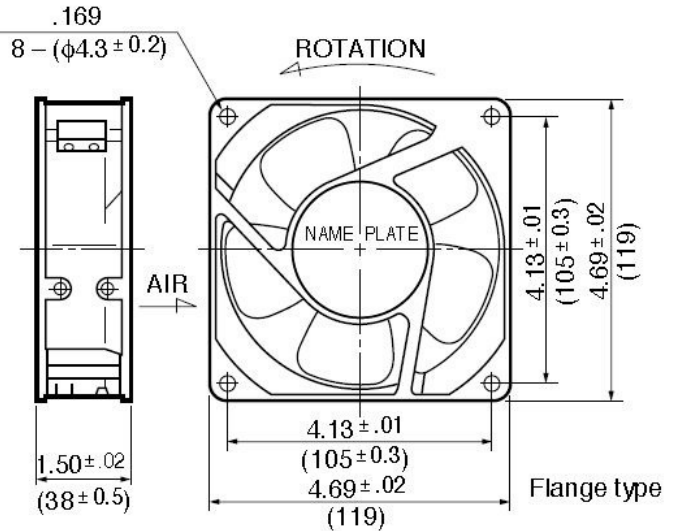
DIELECTRIC STRENGTH: 500 VAC for 1 min.

INSULATION: Class A

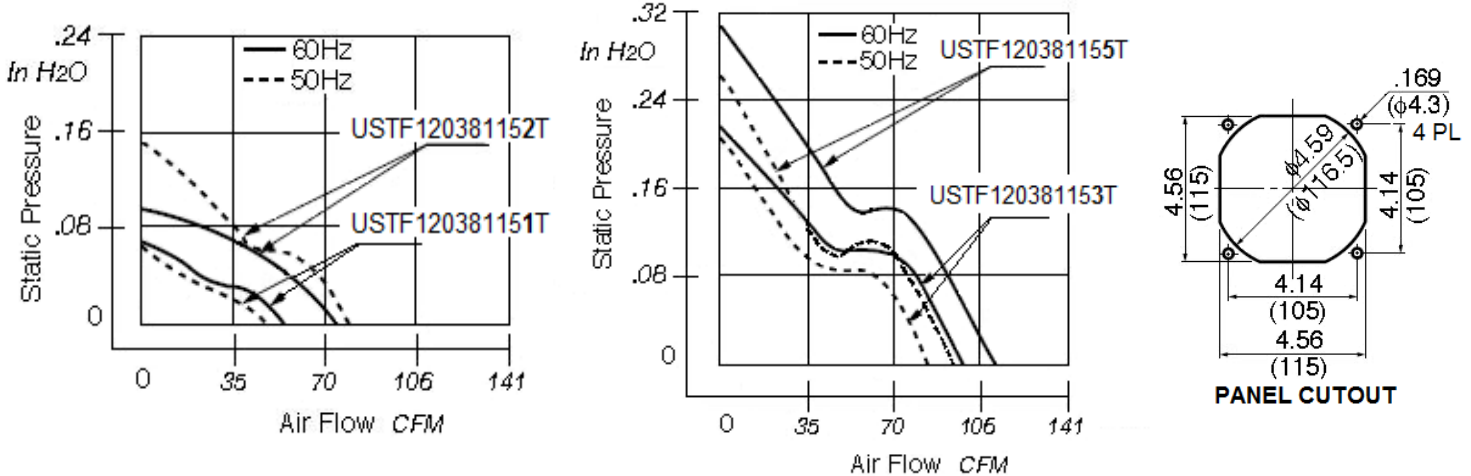
SAFETY: Impedance Protected

SAFETY APPROVALS: UL, CSA & CE

OPERATING VOLTAGE: 115VAC (75VAC min)
230VAC (175VAC min)



PERFORMANCE CURVES: (Obtained with test chamber and methods in accordance with AMCA Std. 210-74)



SPECIFICATIONS: (Based on 60 Hz Frequency)

PART NUMBER	VOLTS	WATTS	AMPS	RPM	NOISE dB (A) @ 1M	CFM
USTF120381155T	115VAC	14.5	0.210	2900	41.0	112
USTF120381153T	115VAC	10.0	0.140	2600	37.0	98
USTF120381152T	115VAC	7.0	0.100	1950	30.0	76
USTF120381151T	115VAC	5.5	0.080	1450	28.0	54
USTF120382305T	230VAC	14.0	0.100	2900	41.0	112
USTF120382303T	230VAC	11.0	0.080	2600	37.0	98
USTF120382302T	230VAC	7.5	0.06	1950	30.0	76
USTF120382301T	230VAC	6.0	0.045	1450	28.0	54

NOTE: Standard models with Terminals. Lead Wires available on request