



**U.S. TOYO
FAN CORP.**

4941 Walnut Grove Ave., San Gabriel, CA 91776
(626) 287-5297
E-mail: sales@ustoyofan.com

USTF12025 Series AC / Ball Bearing Fans

FAX (626) 287-5328
www.ustoyofan.com

USTF12025 Series

Size: 4.69 in sq. x 1.0 in. thk
(119mm sq. x 25mm thk.)

Airflow: 54 - 77 CFM

Acoustical Noise: 30 - 38 dB (A)

MATERIAL: Frame - Aluminum Alloy, Painted Black Finish
Bearings - Sealed Ball
Impeller - UL94V-0 Plastic

WEIGHT: 13 oz. (360g)

TERMINATION: Terminals

OPERATION TEMPERATURE: -10° to +70° C

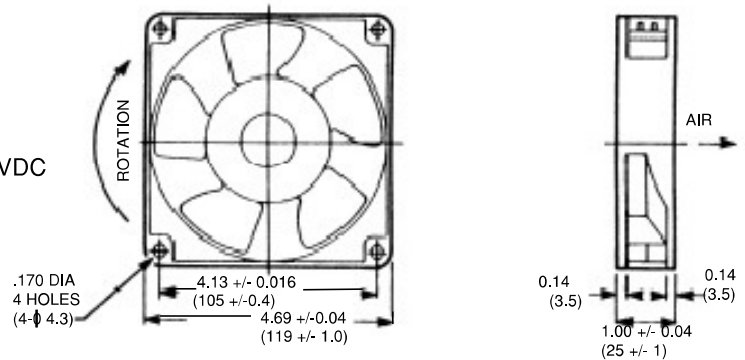
INSULATION RESISTANCE: 100,000 Ohms min @ 500 VDC

DIELECTRIC STRENGTH: 500 VAC for 1 min.

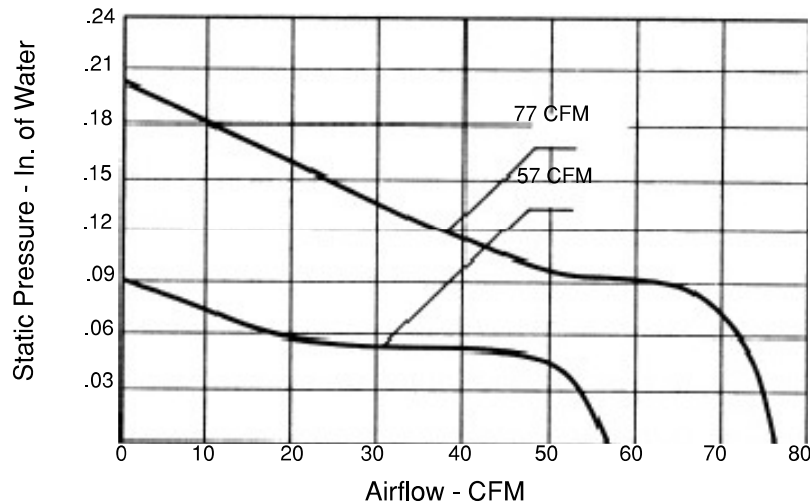
INSULATION: Class A

SAFETY: Impedance Protected

SAFETY APPROVALS: UL, CSA, & CE



PERFORMANCE CURVES: (Obtained with test chamber and methods in accordance with AMCA Std. 210-74)



SPECIFICATIONS: (Based on 60 Hz Frequency)

PART NUMBER	VOLTS	WATTS	mAMPS	RPM	NOISE dB (A) @ 1M	CFM
USTF120251153T	115	11.0	136	3100	38	77
USTF120251152T	115	8.0	90	2300	30	57
USTF120252303T	230	10.0	68	2900	38	75
USTF120252302T	230	7.0	34	2200	30	56

NOTE: Standard models with Terminals. Lead Wires available on request.