



TAC8038 Series

Size: 3.15 in sq. x 1.5 in. thk
(80mm sq. x 38mm thk.)

Airflow: 30 - 16 CFM

Acoustical Noise: 23 - 35 dB (A)

MATERIAL: Frame - Aluminum Alloy, Painted Black Finish
Bearings - Sealed Ball
Impeller - UL94V-0 Plastic

WEIGHT: 13 oz. (370g)

TERMINATION: Lead wires

OPERATION TEMPERATURE: -20° to +80°C

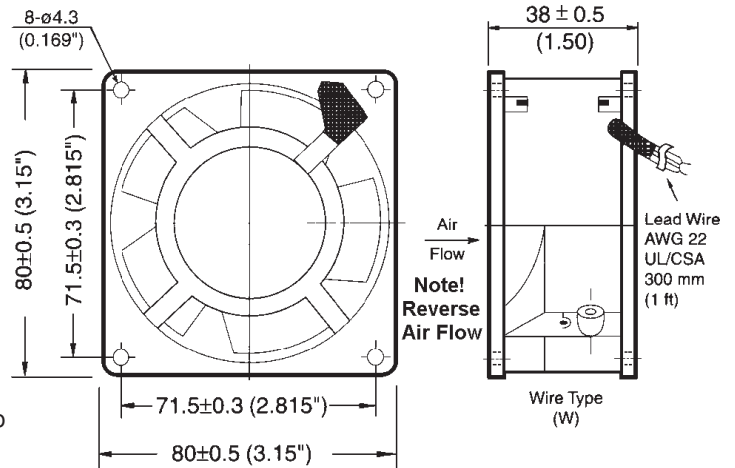
INSULATION RESISTANCE: 10 Megohms min @ 500 VDC

DIELECTRIC STRENGTH: 1,500 VAC for 1 min.

INSULATION: Class B

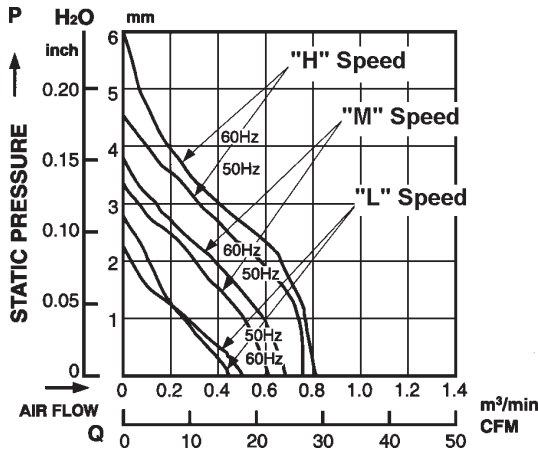
SAFETY: Impedance Protected

SAFETY APPROVALS: UL 106227 & CSA LR702499 (Applies to single voltage models only)
CE (Applies to 230V models only)

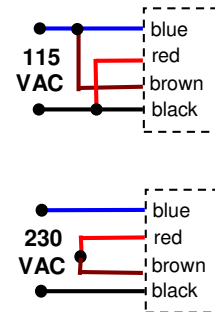


PERFORMANCE CURVES:

(Obtained with test chamber and methods in accordance with AMCA Std. 210-74)



**DUAL VOLTAGE MODEL
WIRING SCHEMATIC**



SPECIFICATIONS: (Based on 60 Hz Frequency)

PART NUMBER	VOLTS	WATTS	mAMPS	RPM	NOISE dB (A) @ 1M	CFM
TAC8038115HW	115	12.0	120	2700	35	30
TAC8038115MW	115	9.0	100	2300	27	23
TAC8038115LW	115	5.0	60	1900	23	16
TAC8038230HW	230	12.0	80	2700	35	30
TAC8038230MW	230	9.0	60	2300	27	23
TAC8038230LW	230	5.0	40	1900	23	16
TAC8038345HW	115 / 230	12.0	120 / 80	2700	35	30

NOTE: Standard models with wire leads (Terminals not available)