

Static Controls

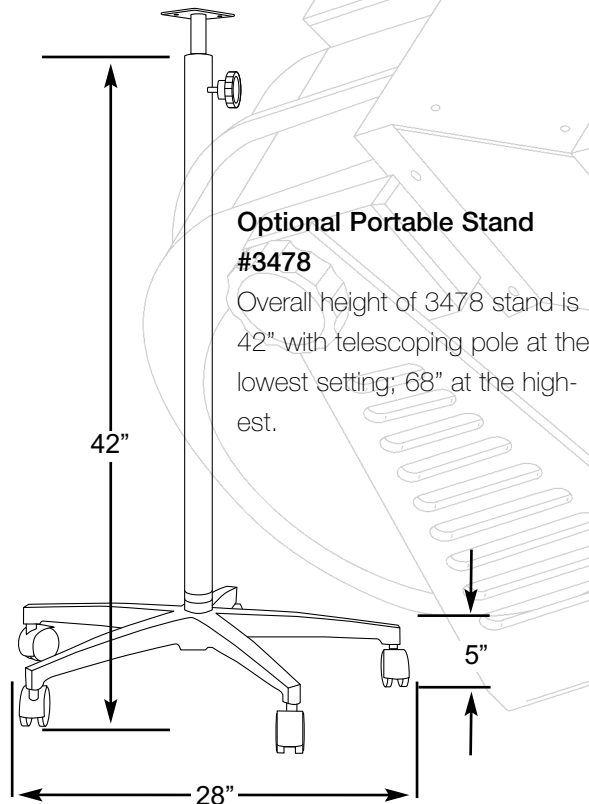
Hurricane 300B

Balanced Ionizing Air Blower

This extended-range ionizing blower is designed to cover a wide target area up to 10' away. The H300B model also includes proprietary ion-emissions balancing circuitry to minimize or null the electric potential on the target, making it a good choice for more sensitive applications such as some medical or electronics products.

Features:

- Ideal for benchtop and industrial applications
- Lamp ON-indicator for visual verification of operation
- 3-speed fan for low noise and emissions
- High-voltage circuitry enhances ion balance and stability
- User balance adjustment
- Fast decay/discharge rates
- Easily replaceable air filters
- Optional floorstand for flexible positioning
- UL-listed equipment certification (File No. E203781)



Specifications: Hurricane 300B

Input: 120 V, 50/60 Hz, 1A
 Size: 16½" w x 10¼" h x 14¼" d
 Weight: 17½ lb
 Air Delivery: 100 to 300 cfm
 Effective Coverage: 2' x 10' area
 Balance¹: ±10V @ 2'
 (fan speed MEDIUM)

Discharge Times
 (5000V...500V):

Distance	Fan Low	Fan Medium	Fan High
1 ft	0.6 sec	0.5 sec	0.5 sec
2 ft	1.3 sec	1.2 sec	1.0 sec
3 ft	2.3 sec	1.9 sec	1.7 sec
4 ft	3.2 sec	2.6 sec	2.3 sec

Discharge Times²
 (1000V...100V):

Distance	Fan Low	Fan Medium	Fan High
1 ft	0.7 sec	0.6 sec	0.5 sec
2 ft	1.3 sec	1.1 sec	0.9 sec
3 ft	1.7 sec	1.5 sec	1.3 sec
4 ft	2.2 sec	1.8 sec	1.6 sec

Notes 1,2: per
 ANSI/ESD STM 3.1



Static Clean International • Tel: 781-229-7799
 Fax: 781-229-4555 • www.staticclean.com