

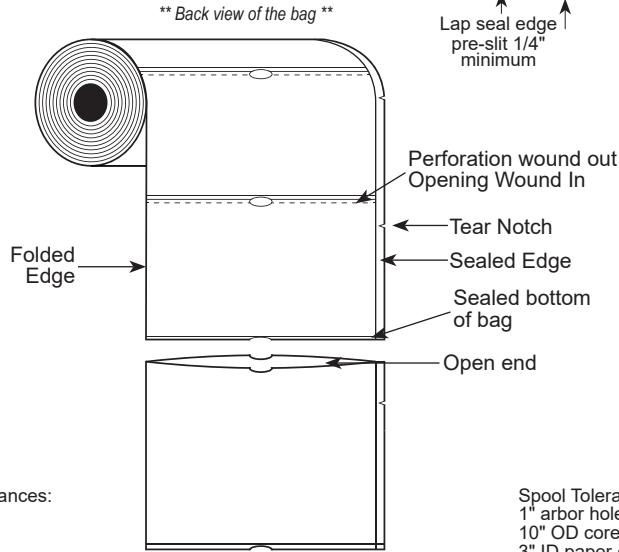
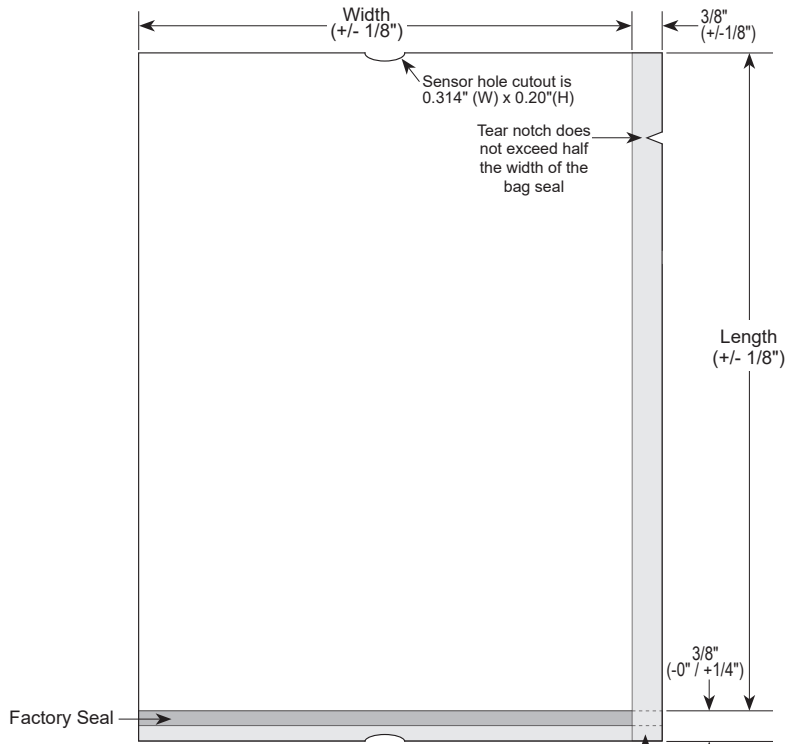
AUTO-SHIELD™ SERIES



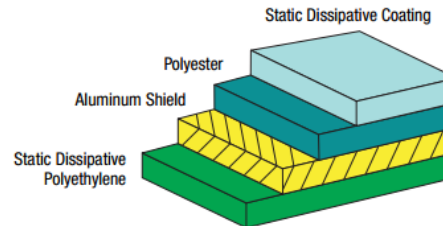
Our 1000 Series Metal-In Static Shielding film converted into pre-opened bags on a spool compatible with most in-line baggers. Customization available.

Specifications

Physical	Value	Test Method
Tensile Strength	4600 PSI, 32 MPa	ASTM D882
Puncture Resistance	12 lbs, 53 N	MIL-STD-3010C Method 2065
Seal Strength	11 lb, 48 N	ASTM D882
Thickness	2.8 mils, 0.071 mm, +/- 10%	MIL-STD-3010C Method 1003
Marking Adhesion	Pass	IPC-TM-650 2.4.1
Transparency	40%	Tobias
Electrical	Value	Test Method
ESD Shielding	< 10 nJ	ANSI/ESD STM11.31
Surface Resistance - Interior	1×10^4 to $< 1 \times 10^{11}$ ohms	ANSI/ESD STM11.11
Surface Resistance - Static Decay	$< 1 \times 10^{11}$ ohms	AMS/ESD STM11.11
	< 2 seconds	ETS 406D
Cleanliness	Value	Test Method
Silicone	Not Detected	FTIR
Heat Sealing Conditions	Value	
Temperature	300°F – 375°F, 149°C – 190°C	
Time	0.5 – 3.5 seconds	
Pressure	30 – 70 PSI, 206 – 482 KPa	



Item #	Bag Size (W x L)	Bags per Roll	Notch Location (from opening)
12035	3" x 5"	1250	1-1/2" +/- 1/2"
12046	4" x 6"	1000	1-1/2" +/- 1/2"
12068	6" x 8"	1000	3" +/- 1/2"
120810	8" x 10"	750	3" +/- 1/2"



Made in the United States of America

Specifications and procedures subject to change without notice.

1000 SERIES AUTO-SHIELD™ BAG, ROLL

926 JR Industrial Drive, Sanford, NC 27332
 WEB SITE: StaticControl.com
 PHONE: EAST: (919) 718-0000 | WEST: (909) 627-9634

DRAWING NUMBER
12035

DATE
October 2024

