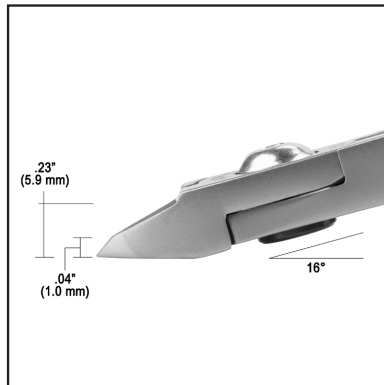
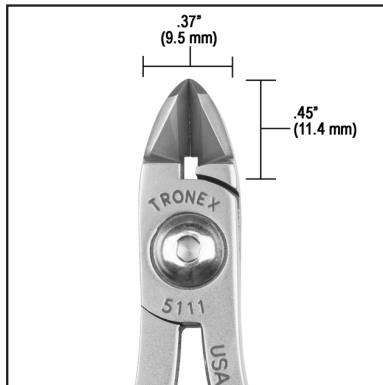




Features:

- **Application:** Used for general purpose cutting, strong and versatile
- **Head Shape:** Medium Oval Head
- **Material:** Carbon Steel
- **Material Hardness:** 62-63 HRC
- **Handle Grips:** Cushion Double Sheathed, ESD Safe
- **RTT Resistance:** $<1 \times 10^{11}$ ohms tested per ANSI/ESD STM11.13 Two-Point Probe, resistance measurement for static dissipative materials

Item	Cutting Edge	Cutting Capacity (Soft Copper Wire)	Profile	Handle Length	Overall Length
5111	Semi-Flush	.008 in - .049 in 0.2mm - 1.25 mm 32 - 16 AWG	Standard	Standard	4.6 in 117 mm



Standard Profile

Unless otherwise noted, tolerance is $\pm 10\%$.



Made in the United States of America

Specifications and procedures subject to change without notice.

MEDIUM OVAL HEAD SEMI-FLUSH CUTTER, STANDARD HANDLE

2860 CORDELIA RD STE 230, FAIRFIELD, CA 94534
 PHONE: (909) 627-2453
 WEBSITE: TronexTools.com

DRAWING NUMBER
5111

DATE
June 2021

TRONEX