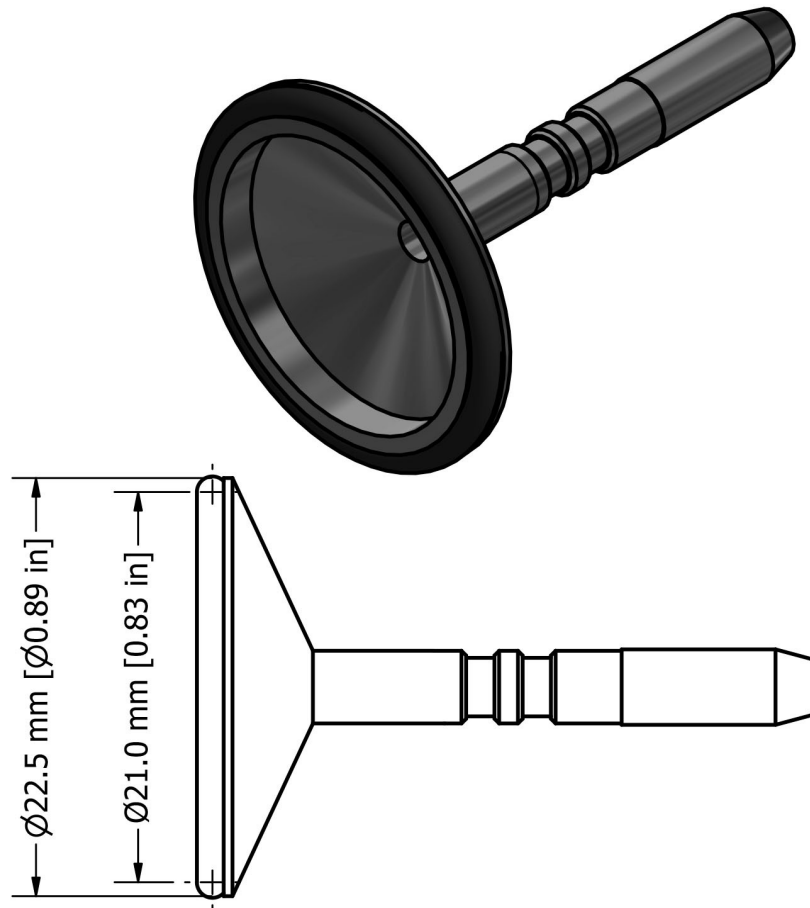




Made in the
United States of America



All dimensions have a tolerance of ± 0.127 mm unless otherwise specified.

VACUUM NOZZLE, 22.5MM O.D.

APR

3651 WALNUT AVENUE, CHINO, CA 91710
PHONE: (909) 664-9980
WEBSITE: APR-Rework.com

**DRAWING
NUMBER**
VNZ-19

DATE:
September
2020