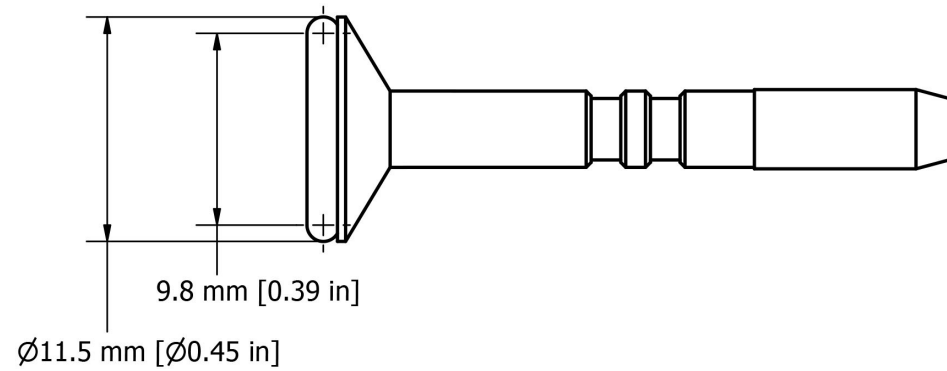
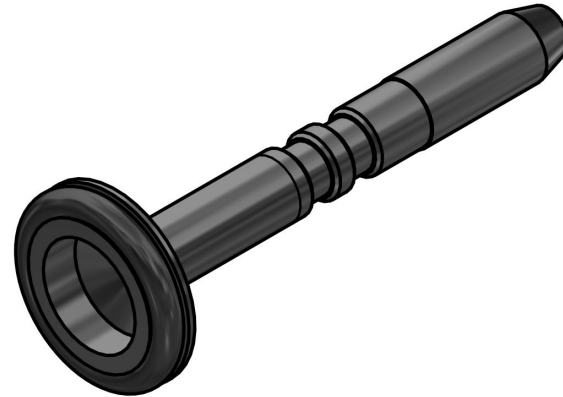




Made in the  
United States of America



All dimensions have a tolerance of  $\pm 0.127 \text{ mm}$  unless otherwise specified.

**VACUUM NOZZLE, 11.5MM O.D.**

**APR**

3651 WALNUT AVENUE, CHINO, CA 91710  
PHONE: (909) 664-9980  
WEBSITE: [APR-Rework.com](http://APR-Rework.com)

**DRAWING  
NUMBER**  
VNZ-12

**DATE:**  
September  
2020