

TAC17251 Series
Size: 6.77 in dia. x 5.90 wide x 2.00 in. thk
 (172mm dia. x 150mm wide x 51mm thk.)

Airflow: 106-235 CFM

Acoustical Noise: 30-50 dB (A)

MATERIAL: Frame - Aluminum Alloy, Painted Black Finish
 Bearings - Ball
 Impeller - UL94V-0 Plastic (Black)

WEIGHT: 35.3 oz. (1000g)

TERMINATION: Terminals standard (Lead Wires on request)

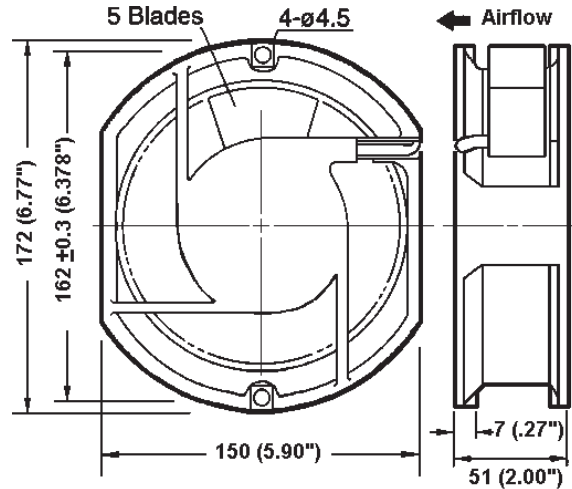
OPERATION TEMPERATURE: -20° to +80° C

INSULATION RESISTANCE: 10 MegOhms min @ 500 VDC

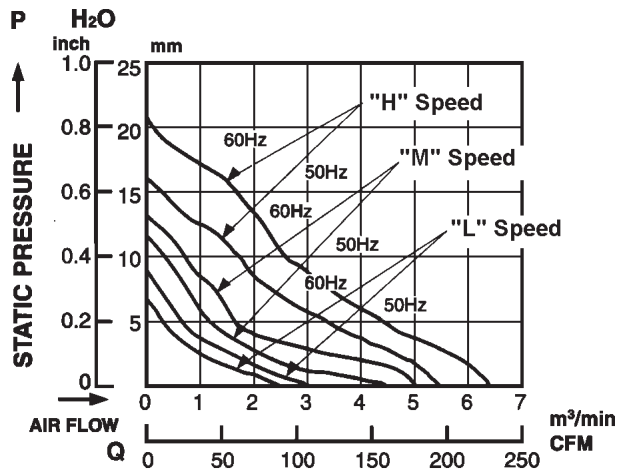
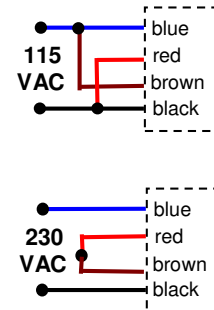
DIELECTRIC STRENGTH: 1500 VAC for 1 min.

INSULATION: Class B

SAFETY: Impedance Protected

SAFETY APPROVALS: UL 106227 & CSA LR702499 (Applies to single voltage models only)
 CE (Applies to 230V models only)

PERFORMANCE CURVES:

(Obtained with test chamber and methods in accordance with AMCA Std. 210-74)


**DUAL VOLTAGE MODEL
WIRING SCHEMATIC**

SPECIFICATIONS: (Based on 60 Hz Frequency)

PART NUMBER	VOLTS	WATTS	mAMPS	RPM	NOISE dB (A) @ 1M	CFM
TAC17251115HT	115	35.0	450	3100	50	235
TAC17251115MT	115	30.0	370	2400	38	170
TAC17251115LT	115	21.0	330	1500	30	106
TAC17251230HT	230	31.0	210	3100	50	235
TAC17251230MT	230	29.0	170	2400	38	170
TAC17251230LT	230	16.0	140	1500	30	106
TAC17251345HW	115 / 230	35.0 / 31.0	450 / 210	3100	50	235

 NOTE: Standard models with Terminals. Lead Wires available on request.
 Dual voltage model with lead wires only.