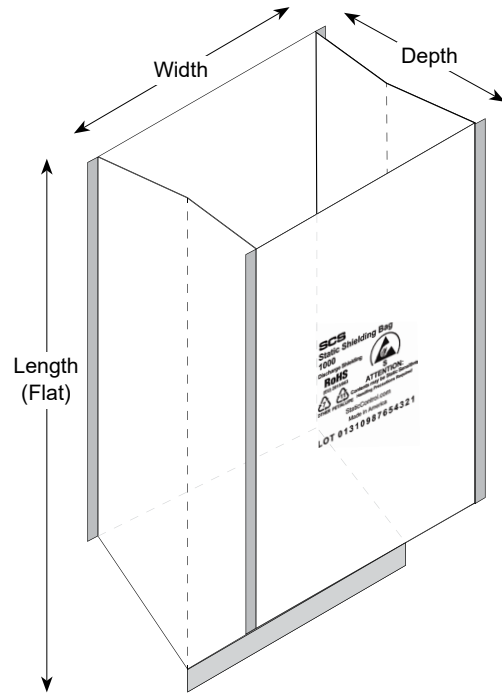


Static Shielding Side Gusset Bag 1000 Series

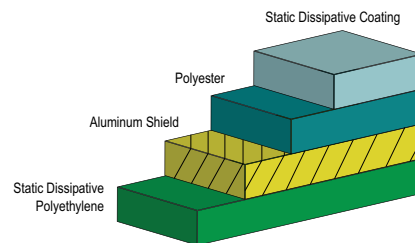
This transparent metal-in static shielding bag is designed to provide a static safe environment for ESD sensitive electronic devices. Bags are printed with an ESD protective symbol and a lot code for traceability. The bags are heat sealable. SCS Static Shielding Bags 1000 Series are manufactured from a polyester, metal, polyethylene laminate. The polyester dielectric in concert with the metal layer provides discharge shielding. The exterior being static dissipative allows electrostatic charges to be removed when grounded.



** Bags are printed (hot stamp or thermal) with an ESD protective symbol and a lot code for traceability. **

Note: Standard bag markings shown above and are not to scale.

Tolerance:
 Width -0, +1/4"
 Length +/- 1/4"
 Offset 0 to 1/4"
 Seal width 1/4" to 5/8" (6.4mm to 15.9mm)
 Gusset (Depth) +/- 1/4"



Meets ANSI/ESD S20.20, Packaging standard ANSI/ESD S541, and Static Control Bag ANSI/ESD S11.4 Level 3



Physical	Typical Value	Testing Method
Tensile Strength	4600 PSI, 32 MPa	ASTM D882
Puncture Resistance	12 lbs, 53 N	MIL-STD-3010C Method 2065
Seal Strength	11 lbs, 48 N	ASTM D882
Thickness	2.8 mils, 0.071 mm +/-10%	MIL-STD-3010C Method 1003
Marking Adhesion	Pass	IPC-TM-650 2.4.1
Transparency	40%	Tobias
Electrical	Typical Value	Testing Method
ESD Shielding	<20 nJ	ANSI/ESD STM11.31
Surface Resistance - Interior	1×10^4 to $< 1 \times 10^{11}$ ohms	ANSI/ESD STM11.11
Surface Resistance - Exterior	$< 1 \times 10^{11}$ ohms	ANSI/ESD STM11.11
Cleanliness	Typical Value	Testing Method
Silicone	Not Detected	FTIR
Heat Sealing Conditions	Typical Value	
Temperature	300°F – 375°F, 149°C – 190°C	
Time	0.5 – 3.5 seconds	
Pressure	30 – 70 PSI, 206 – 482 KPa	

Bag is free of amines, silicones and heavy metals.

This product is intended for commercial use only. This product is not on the Qualified Product Listing under the Defense Standardization Program.

RoHS, REACH and Conflict Minerals, Statement

See the SCS RoHS, REACH, and Conflict Minerals Statement:
http://staticcontrol.com/PDF/Regulatory_Statement_SCS_Bags.pdf

See the SCS Limited Warranty:

StaticControl.DescoIndustries.com/Limited-Warranty.aspx



Made in the United States of America

Specifications and procedures subject to change without notice.

1000 SERIES STATIC SHIELDING SIDE GUSSET BAG

926 JR Industrial Drive, Sanford, NC 27332
 WEB SITE: StaticControl.com
 PHONE (919) 718-0000 | WEST: (909) 627-9634

DRAWING NUMBER
 Side Gusset Series

DATE
 November 2023

