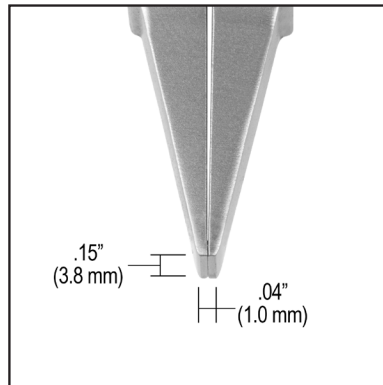
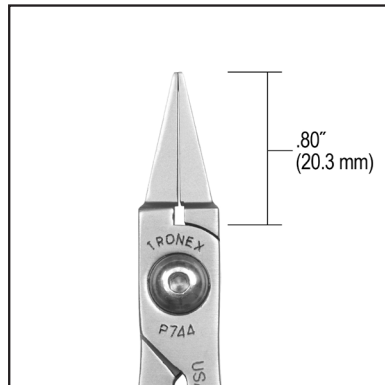




Features:

- **Application:** Popular pliers offer exceptional leverage with shorter blades. Tipshave been heat treated for exceptional hardness (60 HRC).
- **Jaw Shape:** Flat Nose
- **Material:** Carbon Steel
- **Material Hardness:** 60 HRC
- **Handle Grips:** Cushion Double Sheathed, ESD Safe
- **RTT Resistance:** $<1 \times 10^{11}$ ohms tested per ANSI/ESD STM11.13 Two-Point Probe, resistance measurement for static dissipative materials

Item	Handle Length	Overall Length
P744	Ergonomic	6 in 151 mm



Standard Profile

Unless otherwise noted, tolerance is $\pm 10\%$.



Made in the United States of America

Specifications and procedures subject to change without notice.

FLAT NOSE PLIERS SHORT SMOOTH JAW, ERGONOMIC HANDLE

TRONEX

2860 CORDELIA RD STE 230, FAIRFIELD CA, 94534
 PHONE: (909) 627-2453
 WEBSITE: TronexTools.com

DRAWING NUMBER
P744

DATE
January 2022