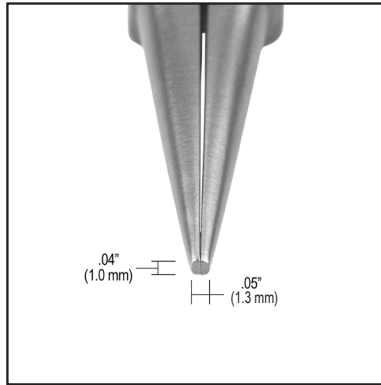




**Features:**

- **Application:** Needle nose pliers with long smooth jaws that are machined into thin half cones. This thin profile increases tool access in fine electronics work.
- **Jaw Shape:** Needle Nose
- **Material:** Carbon Steel
- **Material Hardness:** 32-33 HRC
- **Handle Grips:** Cushion Double Sheathed, ESD Safe
- **RTT Resistance:**  $<1 \times 10^{11}$  ohms tested per ANSI/ESD STM11.13 Two-Point Probe, resistance measurement for static dissipative materials

Item	Handle Length	Overall Length
P721	Ergonomic	6.4 in 163 mm



Standard Profile

Unless otherwise noted, tolerance is  $\pm 10\%$ .



Made in the United States of America

Specifications and procedures subject to change without notice.

**NEEDLE NOSE PLIERS LONG SMOOTH JAW, ERGONOMIC HANDLE**

**TRONEX**

2860 CORDELIA RD STE 230, FAIRFIELD CA, 94534  
 PHONE: (909) 627-2453  
 WEBSITE: [TronexTools.com](http://TronexTools.com)

**DRAWING NUMBER**  
P721

**DATE**  
November 2021