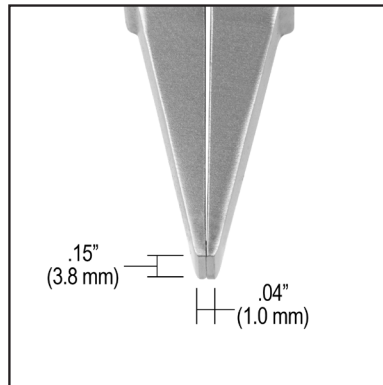
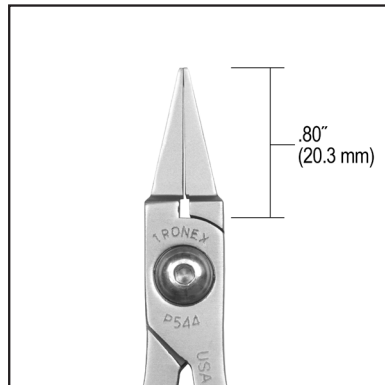




**Features:**

- **Application:** Popular pliers offer exceptional leverage with shorter blades. Tips have been heat treated for exceptional hardness (60 HRC).
- **Jaw Shape:** Flat Nose
- **Material:** Carbon Steel
- **Material Hardness:** 60 HRC
- **Handle Grips:** Cushion Double Sheathed, ESD Safe
- **RTT Resistance:**  $<1 \times 10^{11}$  ohms tested per ANSI/ESD STM11.13 Two-Point Probe, resistance measurement for static dissipative materials

Item	Handle Length	Overall Length
P544	Standard	5 in 126 mm



Standard Profile

Unless otherwise noted, tolerance is  $\pm 10\%$ .



Specifications and procedures subject to change without notice.

**FLAT NOSE PLIERS SHORT SMOOTH JAW, STANDARD HANDLE**

**TRONEX**

2860 CORDELIA RD STE 230, FAIRFIELD CA, 94534  
 PHONE: (909) 627-2453  
 WEBSITE: [TronexTools.com](http://TronexTools.com)

**DRAWING NUMBER**  
P544

**DATE**  
January 2022