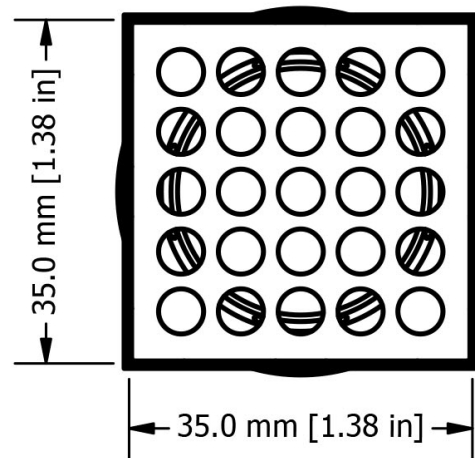
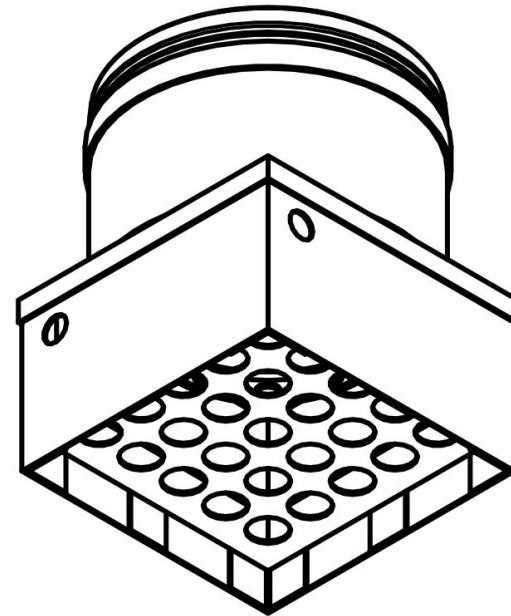
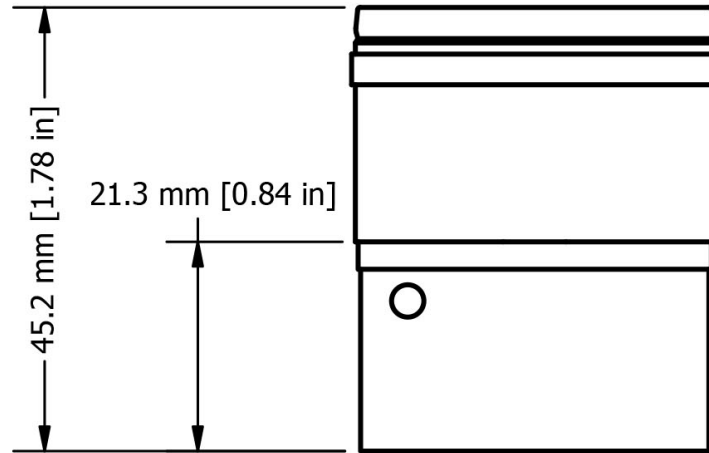




Made in the
United States of America
with Globally Sourced
Materials



All dimensions have a tolerance of ± 1.00 mm unless otherwise specified.
Custom manufactured items are not returnable for credit.

Customer Approval _____ Date _____

PRE-HEATER NOZZLE, 35.0MM X 35.0MM



3651 WALNUT AVENUE, CHINO, CA 91710
PHONE: (909) 664-9980
WEBSITE: APR-Rework.com

DRAWING NUMBER
NZP-350-350

DATE:
October
2020