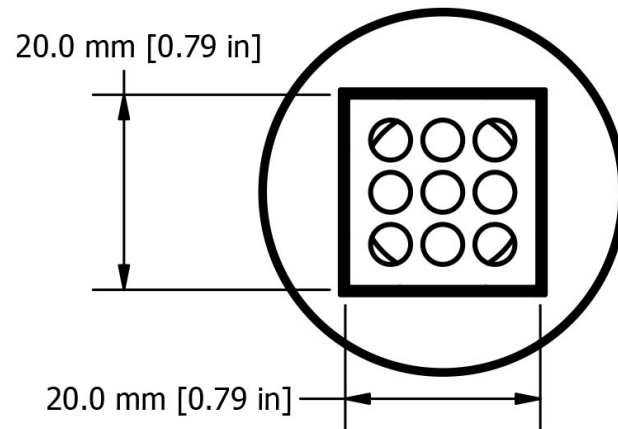
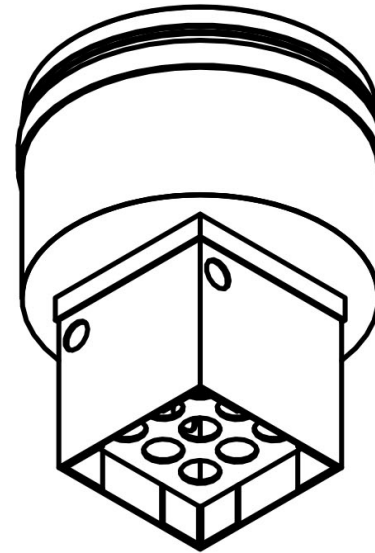
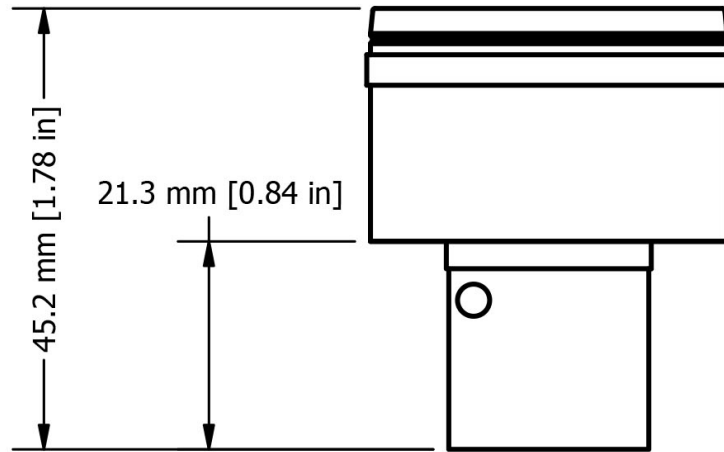




Made in the
United States of America
with Globally Sourced
Materials



All dimensions have a tolerance of ± 1.00 mm unless otherwise specified.
Custom manufactured items are not returnable for credit.

Customer Approval

Date

PRE-HEATER NOZZLE, 20.0MM X 20.0MM

APR

3651 WALNUT AVENUE, CHINO, CA 91710
PHONE: (909) 664-9980
WEBSITE: APR-Rework.com

**DRAWING
NUMBER**
NZP-200-200

DATE:
October
2020