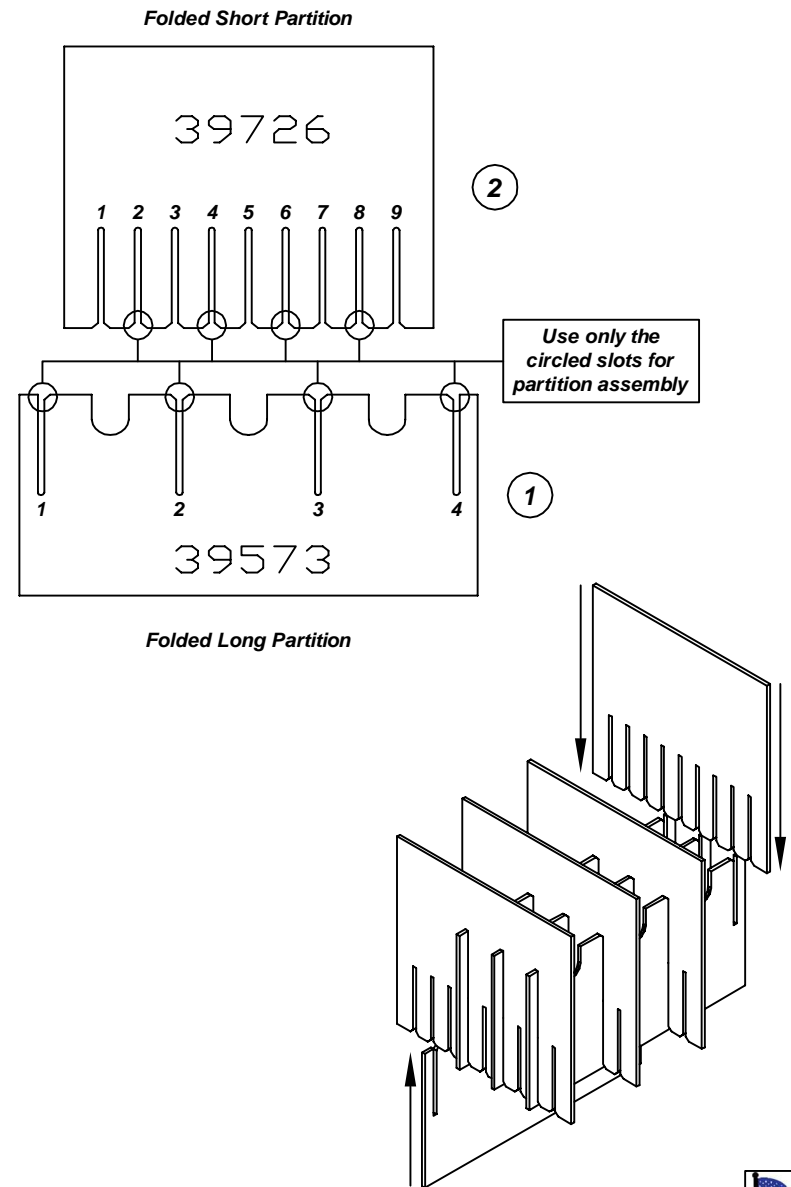
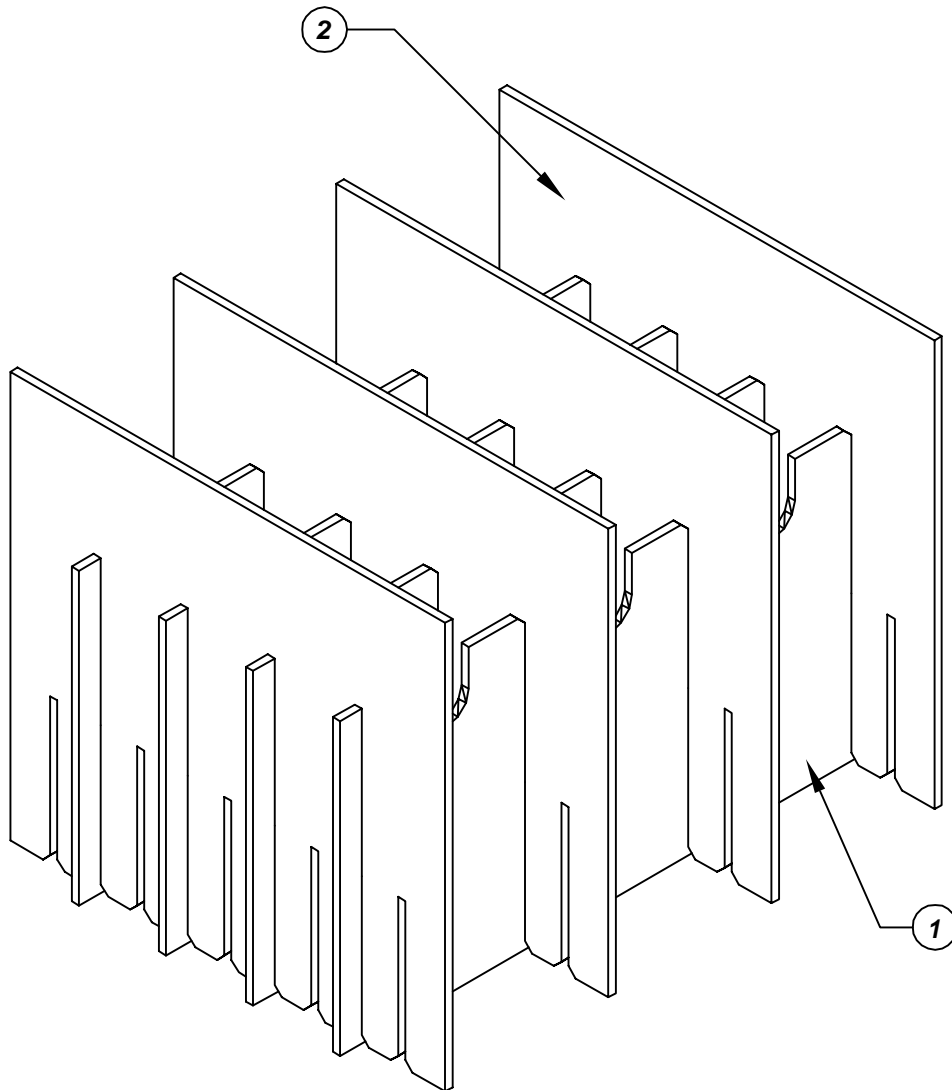


Assembly Instructions for - 37375



Made in America

F/N 1	Part # 39573	Dimensions: 20-1/4" x 18-5/8"	Description: 460-LP-10/30 Long Partition	Qty: 4
F/N 2	Part # 39726	Dimensions: 28-1/4" x 15"	Description: 464-SP-10 Short Partition	Qty: 4

37375 - 15 Cell Inplant Handler Cell Size - 14" x 5-3/8" x 2-3/4"

Notes:
For use with the following storage container & lid:
37526 - Storage Container
37554 - Lid

PROTEKTIVE PAK
13520 MONTE VISTA AVENUE, CHINO, CA 91710
PHONE (909) 627-2578, FAX (909) 363-7331
ProtektivePak.com



DRAWING NUMBER
IPH-37375

DATE
Dec.
2007