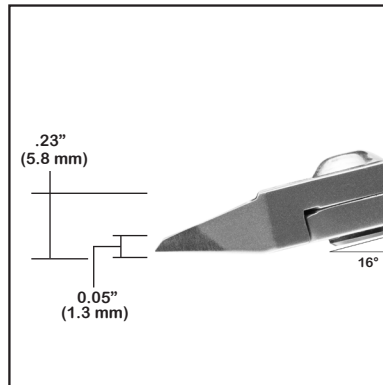
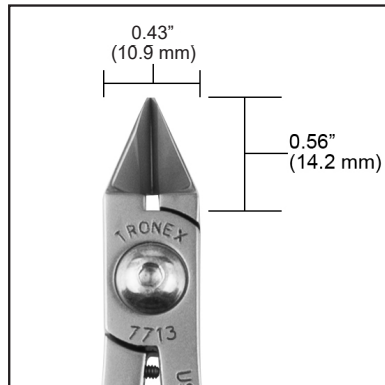




Features:

- **Application:** Has an extra long jaw capable of cutting multiple leads.
- **Head Shape:** Large Taper Head
- **Material:** Carbon Steel
- **Material Hardness:** 62-63 HRC
- **Handle Grips:** Cushion Double Sheathed, ESD Safe
- **RTT Resistance:** $<1 \times 10^{11}$ ohms tested per ANSI/ESD STM11.13 Two-Point Probe, resistance measurement for static dissipative materials

Item	Cutting Edge	Cutting Capacity (Soft Copper Wire)	Profile	Handle Length	Overall Length
7713	Razor Flush®	.004 in - .047 in 0.1 mm - 1.2 mm 38 - 16 AWG	Standard	Long Ergonomic	5.7 in 145 mm



Standard Profile

Unless otherwise noted, tolerance is $\pm 10\%$.



Made in the United States of America

Specifications and procedures subject to change without notice.

LARGE TAPER HEAD RAZOR FLUSH® CUTTER, LONG HANDLE

TRONEX

2860 CORDELIA RD STE 230, FAIRFIELD CA, 94534
 PHONE: (909) 627-2453
 WEBSITE: TronexTools.com

DRAWING NUMBER
7713

DATE
October 2021