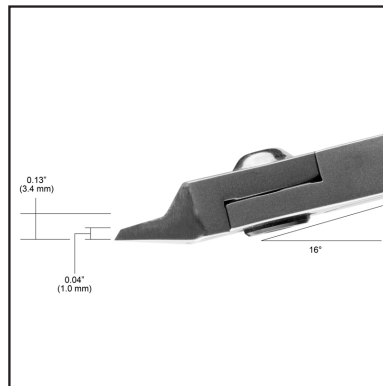
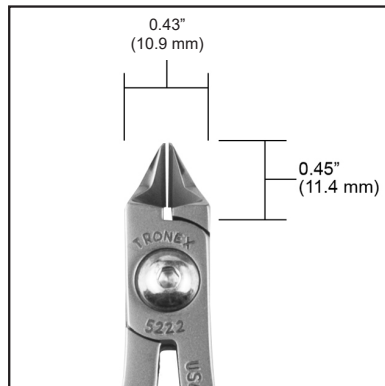




Features:

- **Application:** Taper Cutters have a pointed head that allows for increased cutting access yet has sufficient strength to avoid tip breakage when used within its capacity. 5222 is a popular cutter model that provides cutting capacity and outstanding access.
- **Head Shape:** Medium Relieved Taper Head
- **Material:** Carbon Steel
- **Material Hardness:** 62-63 HRC
- **Handle Grips:** Cushion Double Sheathed, ESD Safe
- **RTT Resistance:** $<1 \times 10^{11}$ ohms tested per ANSI/ESD STM11.13 Two-Point Probe, resistance measurement for static dissipative materials

Item	Cutting Edge	Cutting Capacity (Soft Copper Wire)	Profile	Handle Length	Overall Length
5222	Flush	.004 in - .041 in 0.1 mm - 1.05 mm 38 - 19 AWG	Relief	Standard	4.6 in 117 mm



Relief Profile

Specifications and procedures subject to change without notice.

Unless otherwise noted, tolerance is $\pm 10\%$.



Made in the United States of America

MEDIUM TAPER RELIEF FLUSH CUTTER, STANDARD HANDLE

2860 CORDELIA RD STE 230, FAIRFIELD CA, 94534
 PHONE: (909) 627-2453
 WEBSITE: TronexTools.com

DRAWING NUMBER
5222

DATE
August 2021

TRONEX