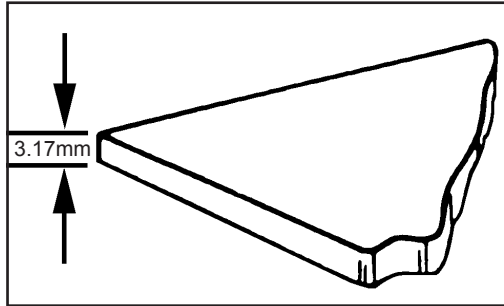


# Statguard® ESD Pure Vinyl Tile Specifications

Meets ANSI/ESD S20.20 flooring required limit and is suitable as the flooring component in Footwear / Flooring System.



To see Application Photos, visit our Web Site:  
[www.StatguardFlooring.com](http://www.StatguardFlooring.com)

Item	Color	Size
<a href="#">81500</a>	White Grey	12" x 12"
<a href="#">81501</a>	White Black	12" x 12"
<a href="#">81502</a>	White Beige	12" x 12"
<a href="#">80503</a>	White Burgundy	12" x 12"
<a href="#">81504</a>	White Blue	12" x 12"
<a href="#">81505</a>	White Green	12" x 12"
<a href="#">81506</a>	Slate Blue	12" x 12"
<a href="#">81508</a>	Grey	12" x 12"
<a href="#">81509</a>	Beige	12" x 12"
<a href="#">81510</a>	White Grey	24" x 24"
<a href="#">81511</a>	White Blue	24" x 24"
<a href="#">81512</a>	White Grey	36" x 36"
<a href="#">81513</a>	White Blue	36" x 36"

Note: Statguard® ESD Vinyl Tile requires Special Installation using Full Spread Conductive Epoxy Adhesive and Copper Foil Strips

Tolerance:  $\pm 0.016"$  per linear foot (See ASTM F 1700)

Specifications and procedures subject to change without notice.

## Electrical Properties

Surface to ground:  
 Static Generation:  
 Floor Materials and Footwear:  
 Resistance Measurement  
 Floor Materials and Footwear:  
 Voltage Measurement  
 Electro Static Propensity  
 Static Decay:

## Results

$2.5 \times 10^4$  to  $< 1 \times 10^6$  ohms  
 <25 volts  
 Depends upon footwear used  
 Depends upon footwear used  
 0.03 seconds

## Parameters

ANSI/ESD STM7.1  
 ANSI/ESD STM97.1  
 ANSI/ESD STM97.2  
 FED TM 101C, Method 4046  
 @ 15% RH, 5000 V to 0 V

## Fire Behavior

Flame Spread Index:  
 Smoke Development:  
 Critical radiant flux:

Meets Class 1 Requirement  
 Meets Class 1 Requirement  
 >1.1 w/cm2

ASTM E162 / ASTM E84  
 ASTM E84  
 ASTME648/NFPA 253

## Mechanical Features

Physical Specifications:

Hardness:  
 Flexibility  
 Abrasion Resistance:  
 Taber H22 wheel, 70rpm:  
 Static Load:  
 125 pound, .025 in. diameter indenter foot, 24 hours:  
 Residual indentation:

55 + 5 Shore D  
 0.445 grams

Meets ASTM F1066-99  
 Meets US Federal Specifications SS-T-312B  
 ASTM D2240

CSA 126.2  
 wt of tile per 1000 cycles  
 ASTM F970 - Modified

700 pound, 1.125 in. diameter indenter foot, 24 hours:  
 Residual indentation:

700 PSI point lead  
 1% of tile thickness

## Product Specifications / Construction Factors:

Size:  
 Gauge:  
 Colors:  
 Grounding:  
 Adhesives:  
 Limited Wear Warranty:

12", 24", 24.2", 36 square  
 1/8" (3.17 mm)  
 10  
 Required - use 81524 – Copper Foil 2" X 24" - 26 Gauge  
 One part acrylic and two part epoxy (conductive)  
 10 year product and life time electricals

"For standing operations, personnel shall be grounded via a wrist strap or by a footwear/flooring system".  
 [ANSI/ESD S20.20 section 8.2 Personnel Grounding]



Made in the  
 United States of America

## Statguard® ESD Pure Vinyl



**STATGUARD FLOORING**  
 One Colgate Way, Canton, MA 02021  
 Phone (781) 821 8370  
[StatguardFlooring.com](http://StatguardFlooring.com)

**DRAWING NUMBER**  
 TD-81500

**DATE**  
 April  
 2015