

Black

Description:

SPI Type F Conductive Corrugated Vinyl is specifically designed for use as floor mats or floor runners. The corrugated surface provides cushioning and excellent traction. It can be cut to configure custom sizes. SPI Type F meets ANSI/ESD S20.20 and EIA-625 ESD floor requirements and is also suitable for ESD floor component in Flooring-Footwear System as primary grounding method 3.5×10^{E7} ohms per ESD STM 97.1 Floor Materials and Footwear-Resistance in Combination with a Person. It also meets the requirements of DOD-HDBK-263, DTD-STD-1686A, DOD-STD-2000, ANSI/ESD S4.1 and EN 100 015 Issue 1.

Limited Lifetime Warranty

SPI warrants for one year that Type F matting products will be free of defects in materials and workmanship and will guarantee dissipative/conductive mat properties for the life of the mat. Damage to matting caused by misuse of any kind, including using inappropriate cleaners is not covered by SPI Limited Warranty.

Electrical Properties:

Property	Test Method	Value
RTG Resistance:	ANSI/ESD S7.1	10E3 - 10E5 Ohms
RTT Resistance:	ANSI/ESD S7.1	10E3 - 10E5 Ohms
Charge Decay:	FTMS 101C, M4046	0.18 - 0.34 sec.

Electrical Properties obtained by testing to industrial standards by an independent testing laboratory @ 100 Volts and 50% relative humidity unless otherwise specified. Complete text of the test report is available upon request.

Disclaimer:

All statements, technical data, and recommendations contained herein are based upon tests we believe to be reliable. However, the accuracy or completeness thereof is not guaranteed. The proper and correct applications of products and data is the responsibility of the user. Statements or recommendations not contained herein shall have no force or effect unless embodied in a written agreement signed by authorized officers of Desco Industries, Inc.

Specifications:

Construction:	Homogeneous conductive solid vinyl
Thickness:	0.125" (3.2 mm) +/- 0.005"
Color:*	Black
Texture:*	Corrugated face with smooth back.
Weight:	0.98 lbs/ft ² nominal
Hardness:	90 ±5 Shore A (ASTM D-2240)
Tensile Strength:	Minimum 1200 PSI, ASTM D-412
Elongation:	75% minimum
Temperature Range:	0 - 150°F
Abrasion Resistance:	28.7 grams loss ASTM-D3389 Method B, 1000 grams 4000 cycles

*Color and texture may vary between lots and mills

Grounding: This material must be properly grounded for optimum electrical performance.

Cleaning: For optimum electrical performance, surface must be cleaned regularly using an ESD mat cleaner. We suggest using our Resque 2 Work Surface Cleaner Item #96567 or Reztore™ Static Wipes Item #96770. Do not use cleaners with silicone. Silicone buildup will create an insulative film on the surface.

RoHS Compliance Statement

None of the following materials are intentionally added in manufacturing this product: lead, mercury, cadmium, hexavalent chromium, polybrominated biphenyls (PBB) or polybrominated diphenyl ethers (PBDE) as outlined in the Directive 2002/95/EC Article 4.1. See Desco Industries Inc. letter on-line at SPIWestek.com.

Tolerances:

Width ± .250"
Length ± .250" every 1 linear foot of running material.

Matting materials have a tendency to shrink slightly when first unrolled. In applications where length is critical, allow the material to relax for at least 4 hours before cutting to size. Always trim with a sharp knife or razor blade.

KITS



Floor Mat

Item #	Color	Size
96465	Black V-Groove	48" x 72"

Floor Mat Kit Includes:

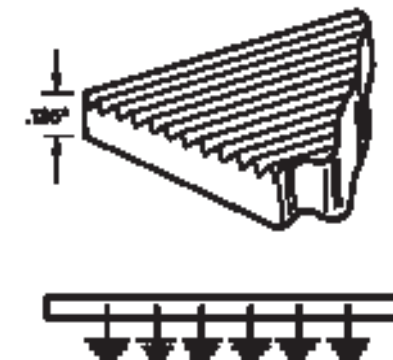
- 1 Type F Floor Mat
- 1 95308 Floor Ground Kit

ROLL STOCK



Type F Is Also Available In Full Rolls

0.125" (3.2mm) THICK ROLLS



Hardware is not included with rolls.

Grounding Intervals for ESD Mats

Sufficient ground cords should be used to reliably meet ANSI/ESD S20.20 Table 1 less than 1 x 10E9 ohms for ESD floors. An industry recommendation has been that continuous runs of ESD matting should be grounded at ten-foot intervals to allow proper charge decay rates with each individual ESD mat should be grounded with ground snap located no further than five feet from either end.

Roll Stock

Item #	Color	Size
96466	Black V-Groove	48" x 40'



TYPE F FLOOR MAT, VINYL, HOMOGENEOUS, CONDUCTIVE, .125" (3.2MM)

ESD SYSTEMS.com

ESD SYSTEMS.COM
432 NORTHBORO ROAD CENTRAL
MARLBORO, MA 01752 USA
TEL. (508) 485-7390 FAX (508) 480-0257

Visit our online library of Tech Drawings: ESDSYSTEMS.com

DRAWING NUMBER
Type F

DATE:
January 2009