

Black

Electrical Properties:

Property	Test Method	Value
RTG Resistance:	ESD-S7.1	10 ⁴ - 10 ⁵ Ohms
RTT Resistance:	ESD-S7.1	10 ⁴ - 10 ⁵ Ohms

Electrical Properties obtained by in accordance with recommended technical requirements of ANSI/ESD S20.20, conducted by an independent testing laboratory. Complete text of the test report is available upon request.

Disclaimer:

All statements, technical data, and recommendations contained herein are based upon tests we believe to be reliable. However, the accuracy or completeness thereof is not guaranteed. The proper and correct applications of products and data is the responsibility of the user. Statements or recommendations not contained herein shall have no force or effect unless embodied in a written agreement signed by authorized officers of Desco Industries, Inc.

Matting materials have a tendency to shrink slightly when first unrolled. In applications where length is critical, allow the material to relax for at least 4 hours before cutting to size. Always trim with a sharp knife or razor blade.

See reverse side for available mat and roll sizes.

Description:

The Statfree Conductive Vinyl Floor Mat is a superior matting material with electrical properties guaranteed for the life of the product. The material is low charging and being conductive, able to remove electrostatic charges to ground (when properly grounded). The material is designed for use as either a floor mat, floor runner, or for lining shelves. It is ideal for higher traffic areas and allows personnel, chairs, and carts to pass freely, and lays flat, increasing worker safety. The high performance materials used in the manufacturing of Statfree CV™ create a highly durable, long lasting product that is reversible, resists acids and alkali solutions, and is humidity independent. Material is available in thicknesses of .060" and .125".

Statfree CV™ has been tested and found to pass the burn rate requirements set forth in Motor Vehicle Safety Standard No. 302, as a burn-resistant material. In doing so, the material has been found not to burn, nor transmit a flame across its surface at a prescribed rate.

Statfree CV™ meets the requirements of the following standards: MIL-W-87893, MIL-STD-1686, and MIL-HDBK-263.

Specifications:

Construction:	Homogeneous conductive vinyl
Thickness:	.060" for shelves, and .125" for floor
Color:*	Black
Texture:*	Embossed/smooth
Tensile Strength (PSI):	1200 minimum
Elongation (%):	75 minimum
Tear Strength (Die C):	95 minimum
Coefficient of Friction:	0.36
Specific Gravity:	1.50 ±0.005
Durometer Hardness:	
Shore "A"	90 ±5
Chemical Resistance:	Resistance to degradation by inorganic acids, organic acids, reducing agents, aliphatic hydrocarbons, mineral oil, aldehydes, and amines
Continuous Operating:	0°F to 150°F
Flammability:	Passes FMV302

*Color and texture may vary between lots and mills

Grounding: This material must be properly grounded for optimum electrical performance. Ask for Technical Bulletin PS-2013 for mat grounding instructions.

Cleaning: For optimum electrical performance, surface must be cleaned regularly using an ESD mat cleaner. We suggest using our Reztore™ Surface & Mat Cleaner Item #16030 or Static-Wipes Item #16020. Do not use cleaners with silicone. Silicone buildup will create an insulative film on the surface.



Made in America

Limited Lifetime Warranty

ESD Systems.com warrants for one year that Statfree® matting products will be free of defects in materials and workmanship and will guarantee dissipative/ conductive mat properties for the life of the mat. Damage to matting caused by misuse of any kind, including using inappropriate cleaners is not covered by ESD Systems.com Limited Warranty.

NOTE: For applications on carpeted floors, consider Item #10999 Carpet Gripper Tape to safely secure product on carpeting.

RoHS Compliance Statement

None of the following materials are intentionally added in manufacturing this product: lead, mercury, cadmium, hexavalent chromium, polybrominated biphenyls (PBB) or polybrominated diphenyl ethers (PBDE) as outlined in the Directive 2002/95/EC Article 4.1. See Desco Industries Inc. letter on-line at ESDSystems.com.

Tolerances:

Width ± .250"
Length ± .250" every 1 linear foot of running material.

Statfree CV™ Conductive Vinyl Floor Material



ESD SYSTEMS.COM
432 NORTHBORO ROAD CENTRAL
MARLBORO, MA 01752 USA
TEL. (508) 485-7390 FAX (508) 480-0257



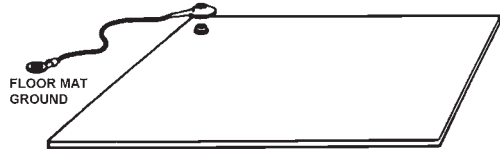
Visit our online
library of Tech Drawings:
ESDSystems.com

Drawing: TD-CV
Material Statfree CV™

DATE
9/06

Item Number Reference For Statfree CV™ Vinyl, Homogeneous, Conductive

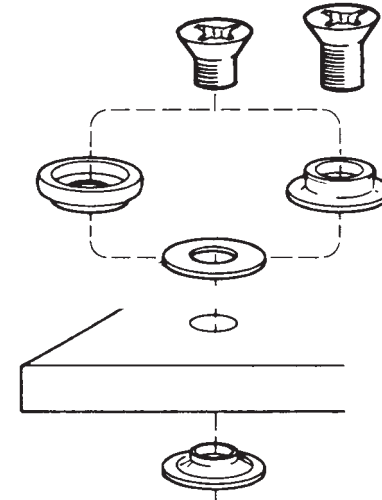
KITS/SHEET STOCK



11596 FLOOR MAT KIT INCLUDES

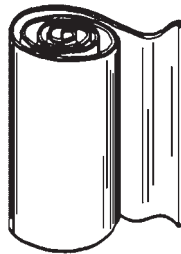
- 1 4' x 6' mat, .125" thick
- 1 13255, floor mat ground kit
- 1 12000 universal snap kit

Tolerances:
 Width ± .250"
 Length ± .250" every 1 linear foot of running material.



For best results use 12000 Universal Screw-on snap kit with Statfree CV™ Conductive Vinyl.

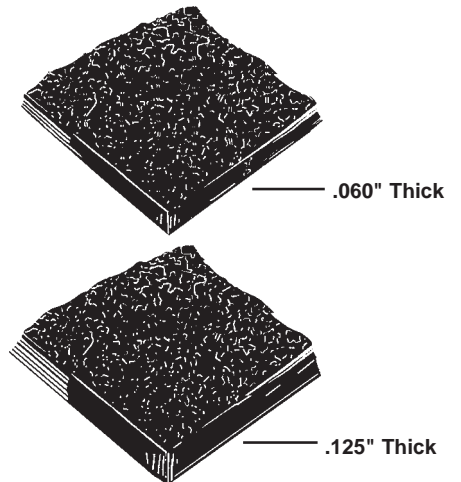
ROLL STOCK



Roll Stock Item Numbers

SIZE	.060"	.125"	Approx. Wt.
4' x 40'	11590	11595	50 lbs./115 lbs.
4' x 100'	11591	N/A	275 lbs.

.060" AND .125" THICK ROLLS



Hardware is not included with rolls.

Grounding Intervals for ESD Mats

Sufficient ground cords should be used to reliably meet ANSI/ESD S20.20 Table 1 less than 1×10^9 ohms for worksurfaces. An industry recommendation has been that continuous runs of ESD matting should be grounded at ten-foot intervals to allow proper charge decay rates with each individual ESD mat should be grounded with ground snap located no further than five feet from either end.



Per section 3 Definitions of Floor standard ESD STM7.1-2001 "Conductive Flooring Material: A floor material that has a resistance to ground of less than 10^6 ohms."