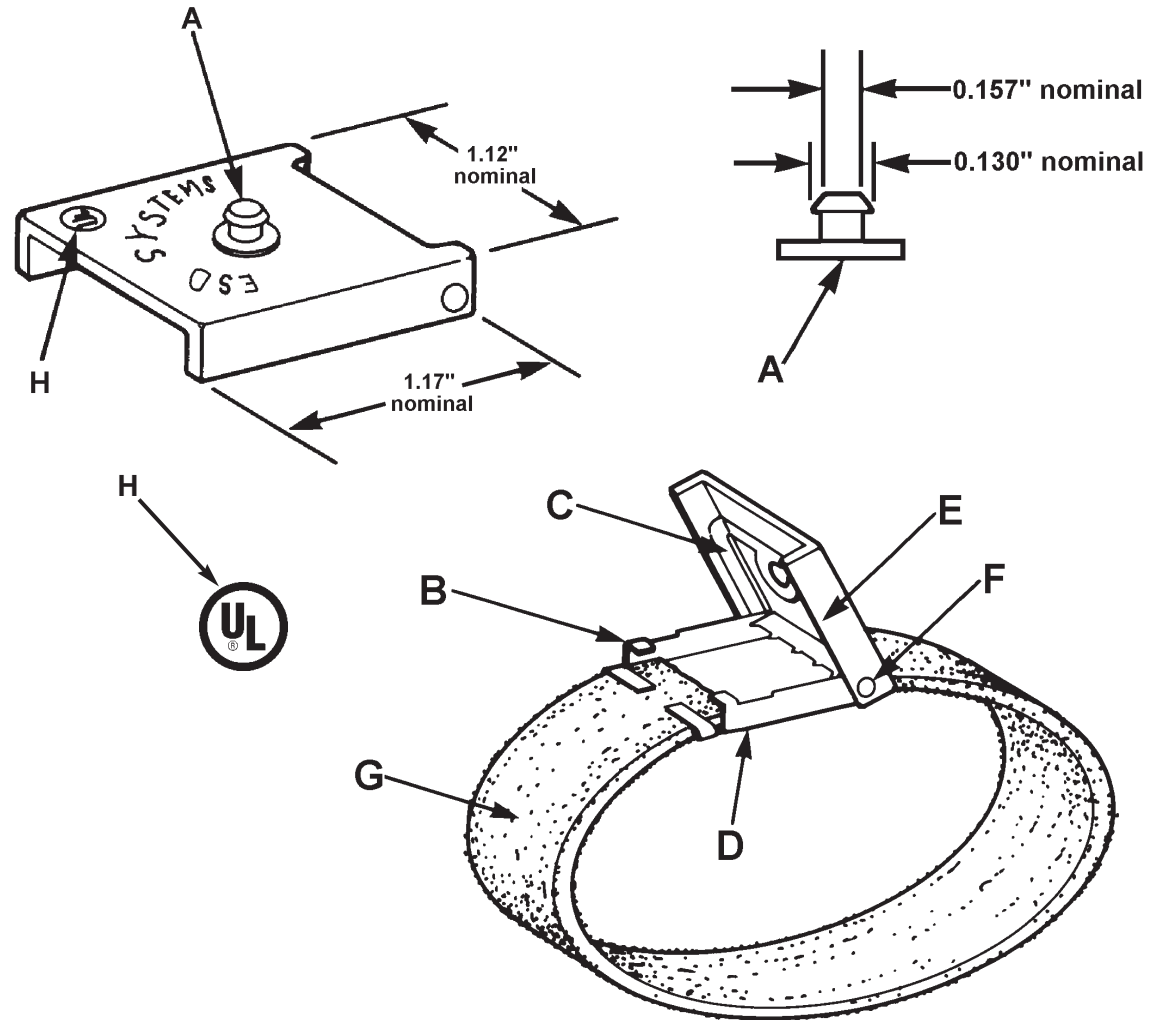


- A. Machined 0.157 in. (4mm) series stainless steel stud. To fit 1/8 in. (4mm) spring loaded medical snap.
- B. 302 series stainless steel tabs secure fabric material in place.
- C. 302 series stainless hinge maintains electrical continuity even when open.
- D. Base plate, for skin contact, 302 series non-allergic stainless steel.
- E. Insulating cap, white ABS thermoplastic.
- F. Eccentric hinge allows wide opening for easy adjustment and force material down against base plate when closed.
- G. Knitted elastic tubular band material of navy blue fiber, 0.75 in. wide, 0.115 in. thick and 8.0" long. It contains two parallel electrical paths. The fiber contains 14.3% of 167 denier silver coated polypropylene, 34.6% of 310 denier clear Lycra Spandex and 51.1% of 150 denier textured polyester. Made with pure silver irreversibly bound to fibers providing both antimicrobial and anti-odor performance.
- H. Underwriters Laboratory listed.

Minimum wrist circumference = 2.5 in. (64mm)
 Maximum wrist circumference = 15 in. (381mm)

All bands also available with 7mm snaps

22000	Band only, 7mm
22005	Band only, 4mm
22050	Band with 6 ft. cord, 7mm
22065	Band with 12 ft. cord, 7mm
22100	Band with 6 ft. cord, 4mm
22110	Band with 6 ft. right angle cord, 4mm
22111	Band with 12 ft. right angle cord, 4mm
22115	Band with 12 ft. cord, 4mm



The adjustable wrist band is manufactured under US patent #4,662,695. A complete wrist strap assembly meets the requirements of EOS/ESD-S1.0.

Wristband, Elastic, Adjustable

ESD SYSTEMS.com

ESD SYSTEMS.COM
 432 NORTHBORO ROAD CENTRAL
 MARLBORO, MA 01752 USA
 TEL. (508) 485-7390 FAX (508) 480-0257



Visit our online
 library of Tech Drawings:
<http://www.esdsystems.com>

DRAWING NUMBER
 TD-22005

DATE
 August
 2008