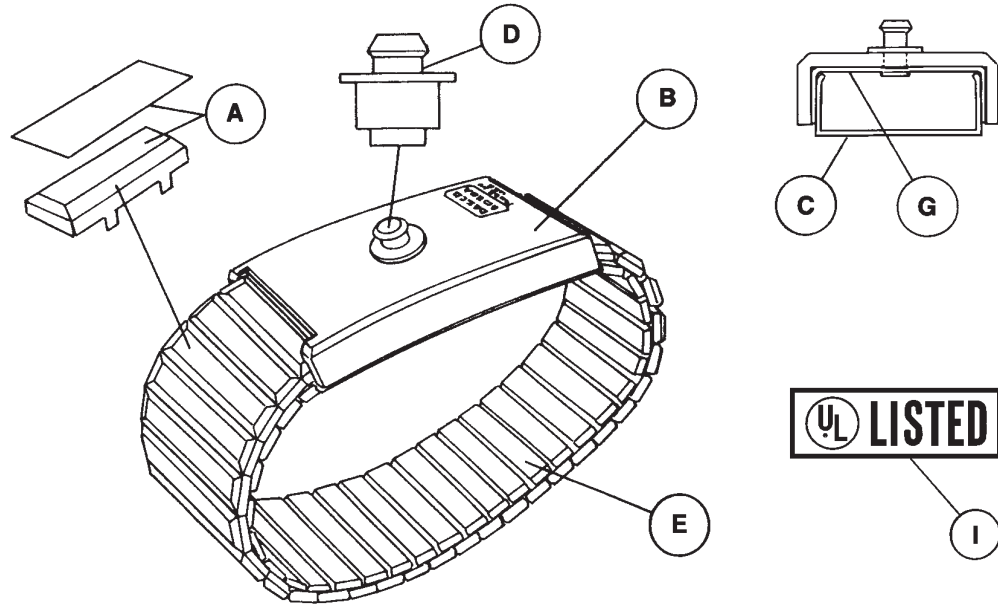
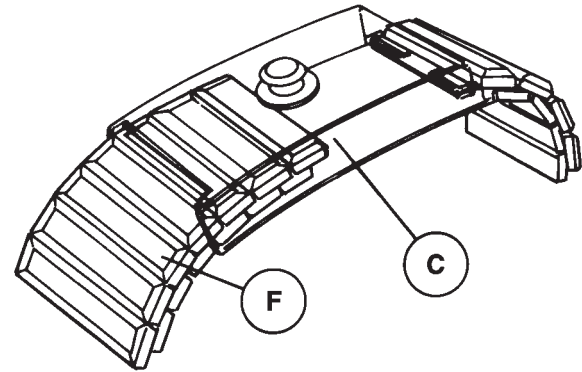


Key:

- A. 0.002" polyphenylsulfone sheet is laminated to each link. Provides >5,000 volt RMS insulation per ASTM D149. Scratch resistant.
- B. Fixed black ABS cap with slotted opening to allow size adjustment.
- C. 300 Series Stainless Steel Backplate forms channel to hold up to 10 links of band allowing size adjustment.
- D. Machined 300 Series Stainless Steel Snap Stud. Compatible with 4mm (1/8") spring socket used by most major brands.
- E. Premium metal expansion band. Inside links are constructed of 300 Series Stainless Steel.
- F. Size is adjusted by sliding 1 to 10 links of the band into the backplate "C" channel.
- G. 300 Series Stainless Steel clip for electrical contact between snap stud and backplate.
- H. Width = 0.630".
- I. Underwriters Laboratory listed 90P1 when used with ESD Systems.com standard ground cord.



Meets ESD S1.1 cuff resistance interior =100 kilohms (1 x 10E2 ohms)
 Meets ESD S1.1 cuff resistance exterior =10 megohms (1 x 10E7 ohms)



Part Numbers:

Adjustable	4mm Snap	7mm Snap	Minimum Circumference	Maximum Circumference
Band only	21240	20050	5.75	13
Band only, X-large	21242		6.25	19.5
Band with 6 ft. cord	21244	21000	5.75	13
Band with 12 ft. cord	21248	21004	5.75	13
Band with 6 ft angle cord	21245		5.75	13



Made in America



Premium Stainless Steel Metal Wrist Straps

ESD SYSTEMS.com

432 NORTHBORO ROAD CENTRAL
 MARLBORO, MA 01752
 PHONE (508) 485-7390
 FAX (508) 480-0257



Visit our online
 library of Tech Briefs:
 ESDSystems.com

DRAWING NUMBER
 TD-21240

DATE
 March
 2008