

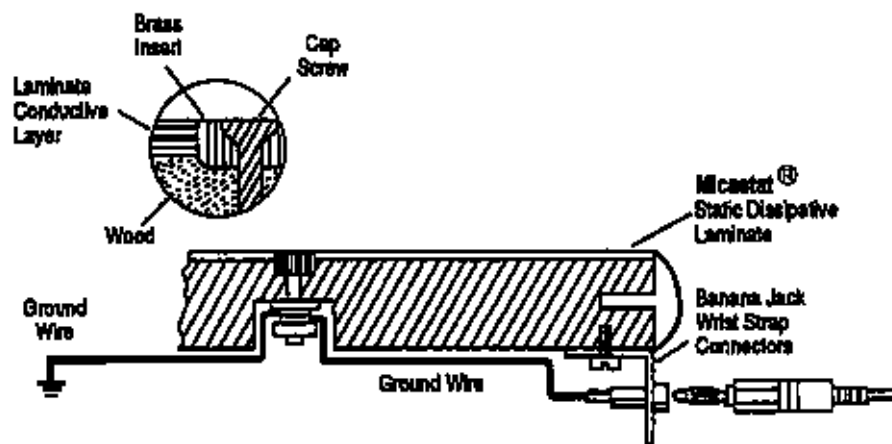
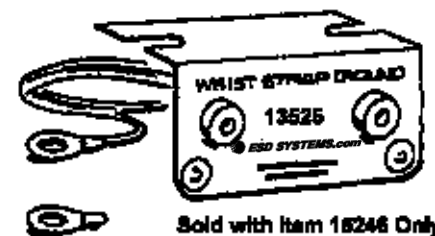
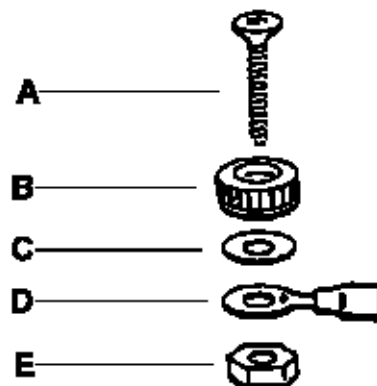
## Description:

Item 15244 flush mount ground insert provides a flush to the surface grounding connection for static dissipative laminates. This easily installed grounding system makes a connection with the conductive layer of the laminate. Item 15246 is a grounding kit which includes the flush mount insert and Item 13525 wrist strap bench ground. Use Item 15242 tool for installation of flush mount insert.

ITEM	DESCRIPTION
15244	Ground, Micastat®, Flush mount insert
15246	Ground, Micastat®, Flush mount insert with bench ground
15242	Tool, Micastat®, Flush mount

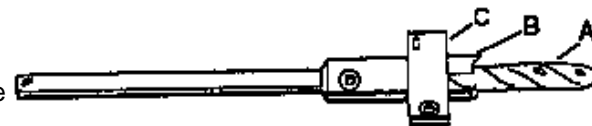
## Key:

- A. Flat socket cap screw 8-32-1, secures the brass insert into place.
- B. Brass insert, 1/2" dia. straight knurl provides electrical connection to the laminate.
- C. Washer, flat, 1/4" ID, 1/2" OD, provides a flat surface for securing ring terminals.
- D. Terminal, ring, mechanically connects wire up to 16 gauge, to the flush mount insert.
- E. Nut, 8-32, used to fasten flush mount insert system together.
- F. Included with item 15246 only: Item 13525, dual banana jack terminals, provides banana plug connections in front of work surface grounded via the flush mounting insert system.



### Tool: 15242

- A. 1/4" Drill Bit
- B. 1/2" x 1/4" Adjustable Counterbore
- C. Drill Stop



## Ground, Micastat®, Flush Mount Insert



432 NORTHBORO ROAD CENTRAL  
MARLBORO, MA 01752-3170  
PHONE (508) 485-7390  
FAX (508) 480-0257



Visit our online  
library of Tech Drawings:  
<http://www.esdsystems.com>

DRAWING NUMBER

TD-15244

DATE

07/05