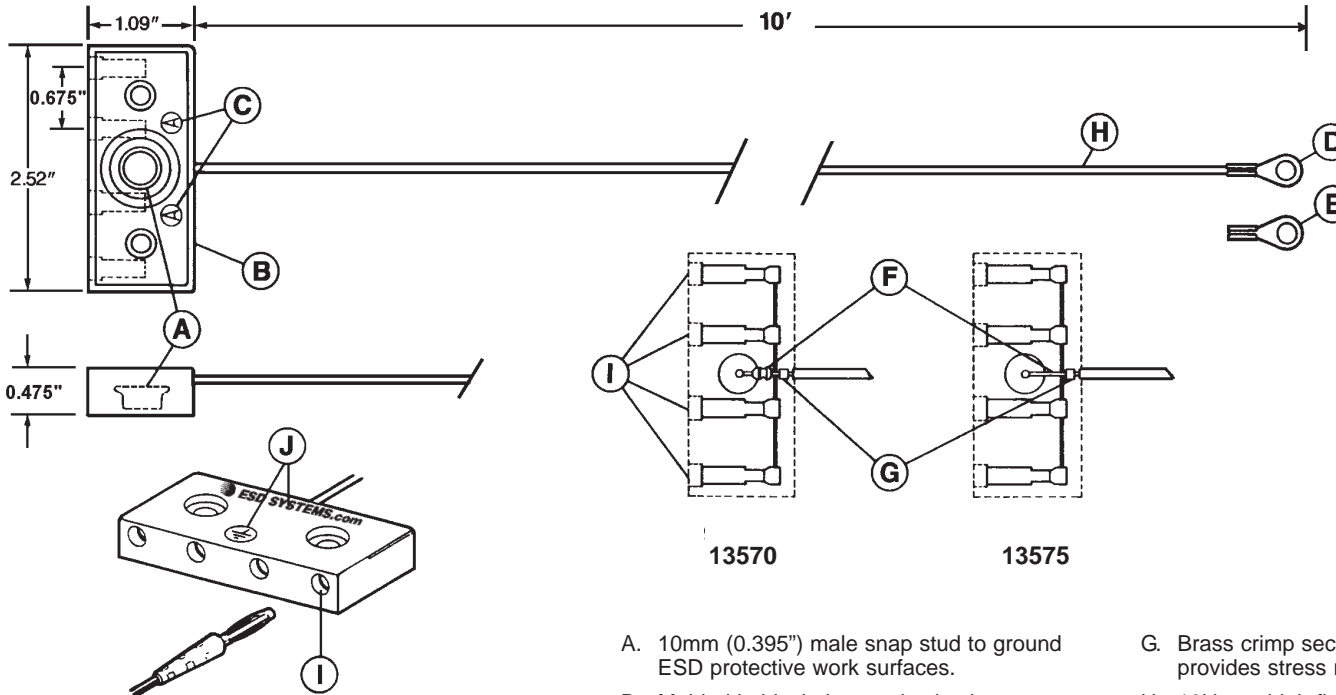
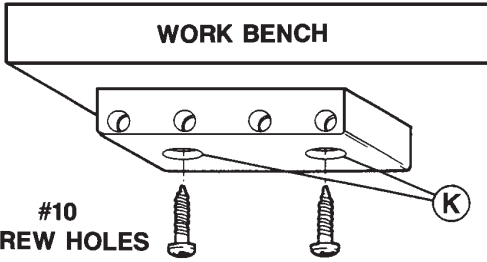




Made in America



- A. 10mm (0.395") male snap stud to ground ESD protective work surfaces.
- B. Molded in black thermoplastic elastomer.
- C. Date coded to show month and year of manufacture.
- D. Ring terminal, 0.200" I.D. (#10).
- E. Extra ring terminal included for customizing length.
- F. Item 13570 has a one megohm resistor between the snap and ground, with the four banana jacks at ground potential. Item 13575 has no resistor between the snap and ground, with the banana jacks also at ground potential.
- G. Brass crimp secures conductors and provides stress relief.
- H. 10' long, high flex strand copper, 20 gauge, with PVC insulated jacket.
13570 - black insulation
13575 - green insulation with yellow stripe
OD = 0.100"
- I. Four banana jacks at ground potential (.162" - .164" ± .002" ID).
- J. ESD Systems.com logo and ground symbol molded onto top of snap assembly.
- K. Molded #10 mounting holes allow for permanent installation at the work bench.



ITEM	DESCRIPTION
13570	One Megohm Resistor To Mat - Black Wire
13575	No Resistor - Green Wire with Yellow Stripe

Quad Ground Cord, Common Point, Ground Block



432 NORTHBORO ROAD CENTRAL
 MARLBORO, MA 01752
 PHONE (508) 485-7390
 FAX (508) 480-0257

Visit our online
 library of Tech Drawings:
<http://www.esdsystems.com/>

DRAWING NUMBER
 TD-13570

DATE
 3/04