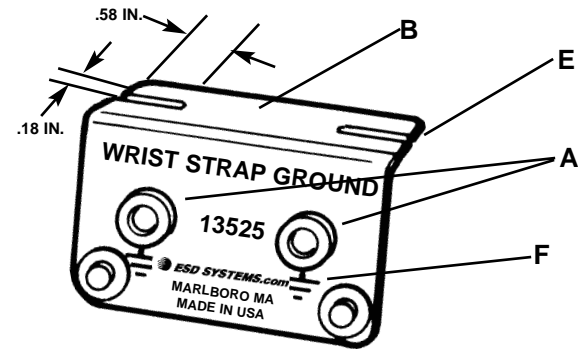
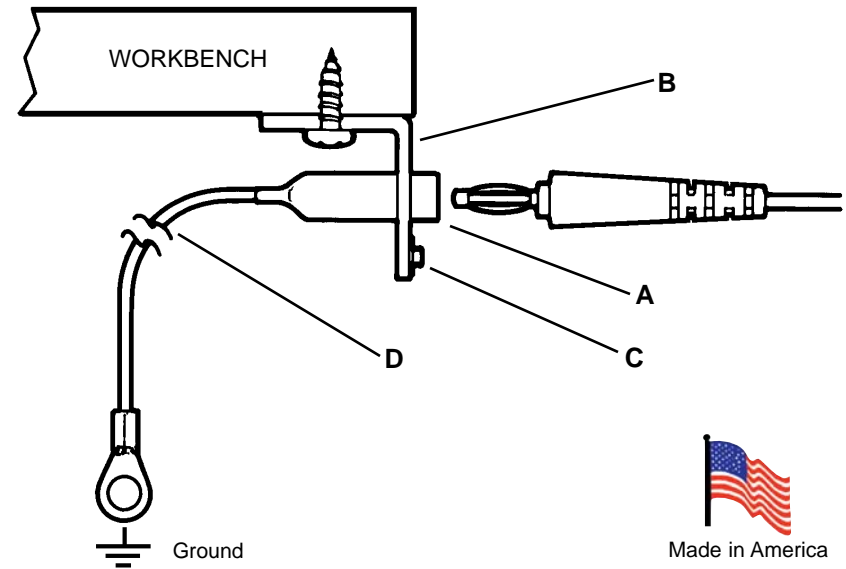
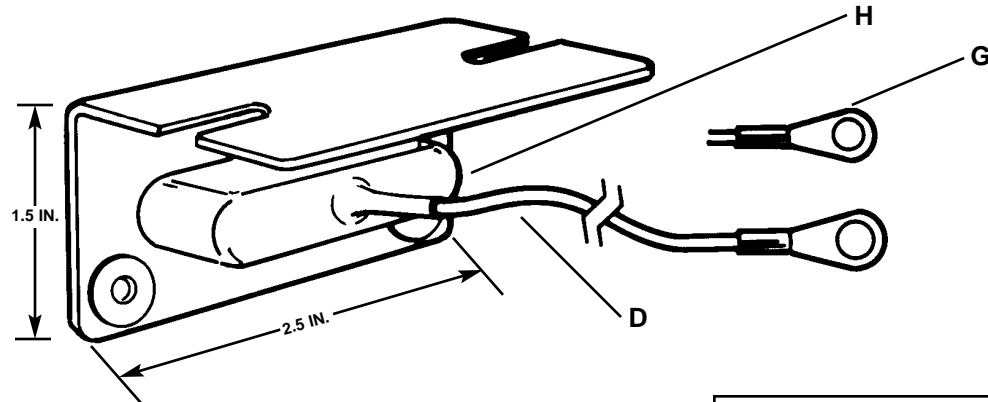


Key:

- A. Item 13525 has two banana plug receptacles (.162" - .164" ± .002" ID).
- B. Black anodized aluminum angle bracket frame, mounts underneath worksurface.
- C. Dual 0.125" (4 mm) studs for "parking" wrist strap ground cords when not in use.
- D. 0.100" OD, 10' yellow striped green PVC ground wire with 40 gauge copper wire and a #10 (0.200" ID) ring terminal, no resistor.
- E. Slotted bracket allows easy installation for screws (not supplied) with a maximum diameter of 0.175" (4.4 mm).
- F. Grounding symbol markings.
- G. Extra # 10 (0.200" ID) ring terminal for custom installation.
- H. Vinyl boot insulates electrical circuits.



| ITEM NO. | DESCRIPTION |
|----------|--|
| 13525 | Bench Ground, Banana Jacks, 4mm Parking Stud |



Ground, Dual Wrist Strap, Bench Mount



432 NORTHBORO ROAD CENTRAL
 MARLBORO, MA 01752-3170
 PHONE (508) 485-7390
 FAX (508) 480-0257



Visit our online
 library of Tech Drawings:
<http://www.esdsystems.com>

DRAWING NUMBER
 TD-13525

DATE
 07/05