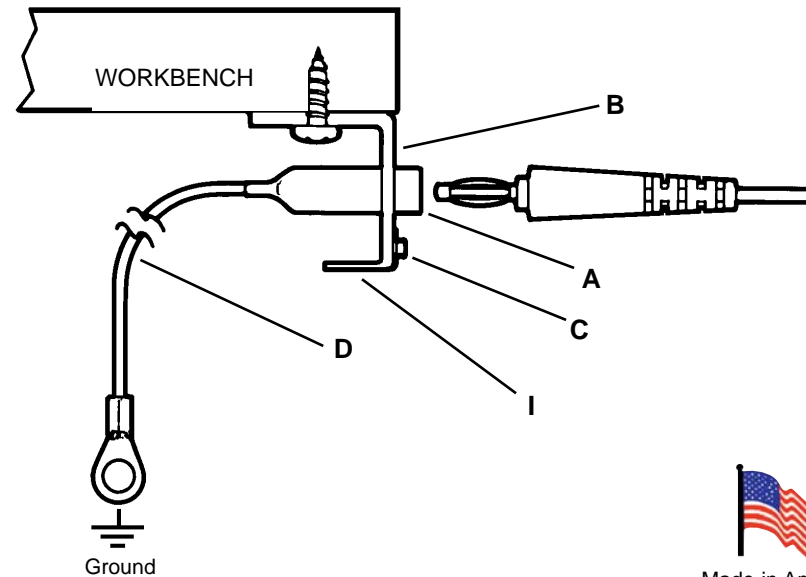
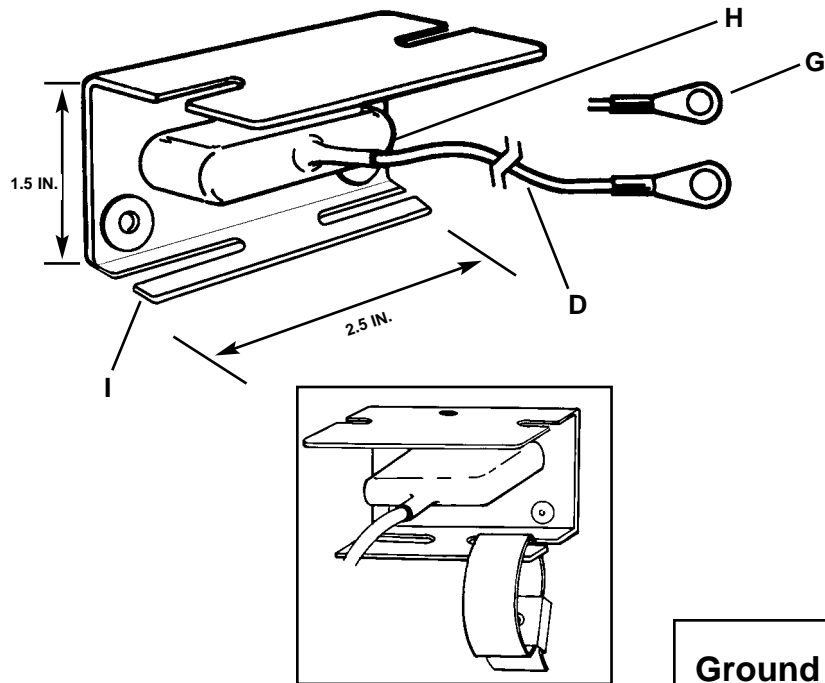
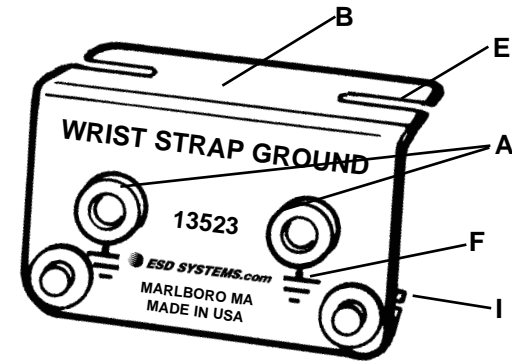


- A. Dual banana jacks for grounding two wrist straps (.162" - .164" ± .002" ID).
- B. Black anodized aluminum angle bracket frame, mounts underneath worksurface.
- C. Dual .155" (4mm) studs for "parking" wrist strap ground cords when not in use.
- D. 10' ground wire. Insulator: PVC, yellow striped green, .100" OD. Conductor: 105 strands each. Approximately 22 gauge with a #10 (.200" ID) ring terminal.
- E. Slotted bracket allows easy installation for screws with a maximum diameter of .175" (4.4mm).
- F. Grounding symbol markings on each banana jack.
- G. Extra #10 (.200" ID) ring terminal for custom installation.
- H. Vinyl boot insulates electrical circuits.
- I. Wrist Strap parking station.



Ground Cord, Dual Wrist Strap, Bench Mount with Parking Station



432 NORTHBORO ROAD CENTRAL
 MARLBORO, MA 01752-3170
 PHONE (508) 485-7390
 FAX (508) 480-0257



Visit our online
 library of Tech Drawings:
<http://www.esdsystems.com>

DRAWING NUMBER
 13523

DATE
 07/05