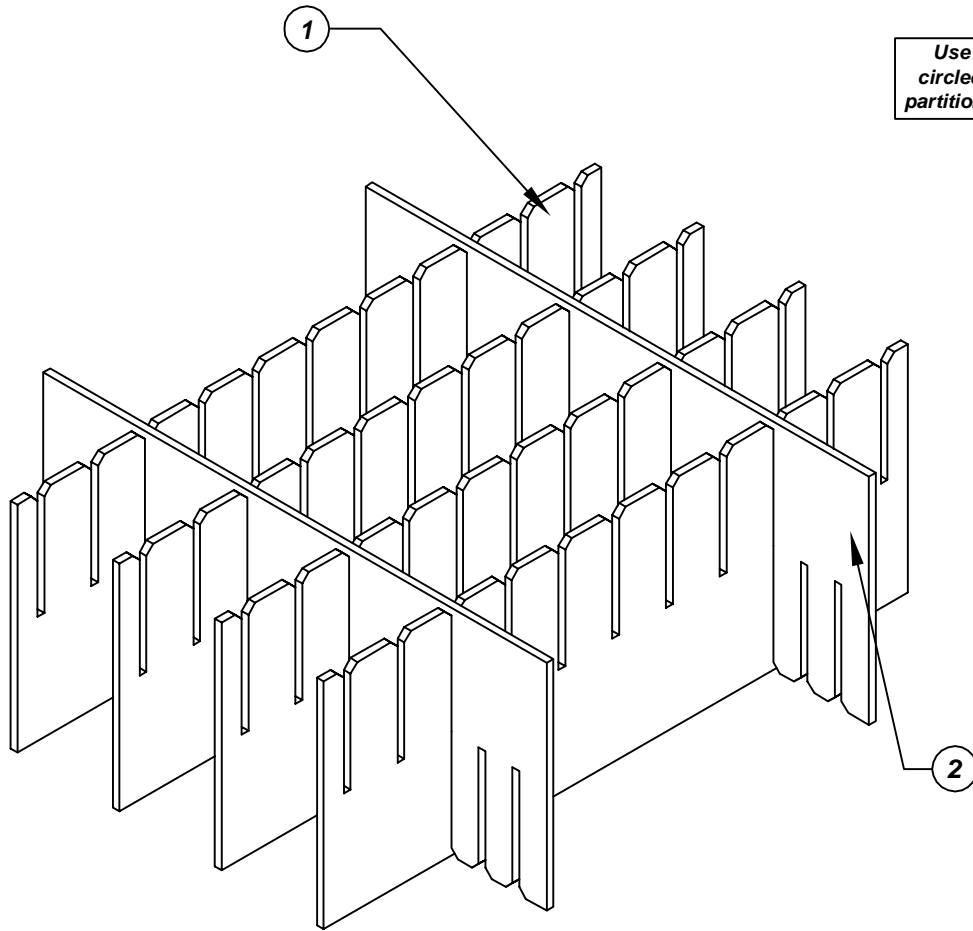
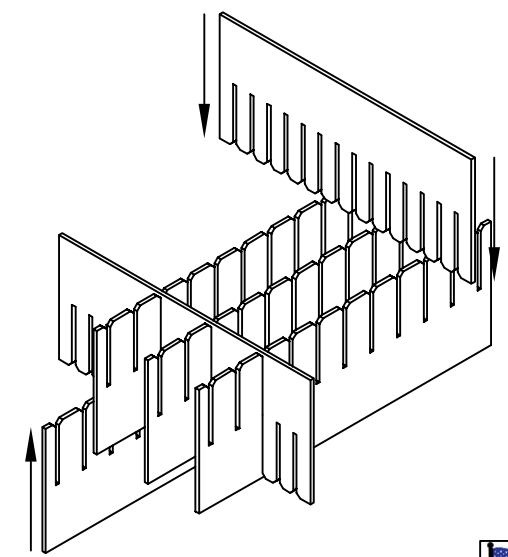
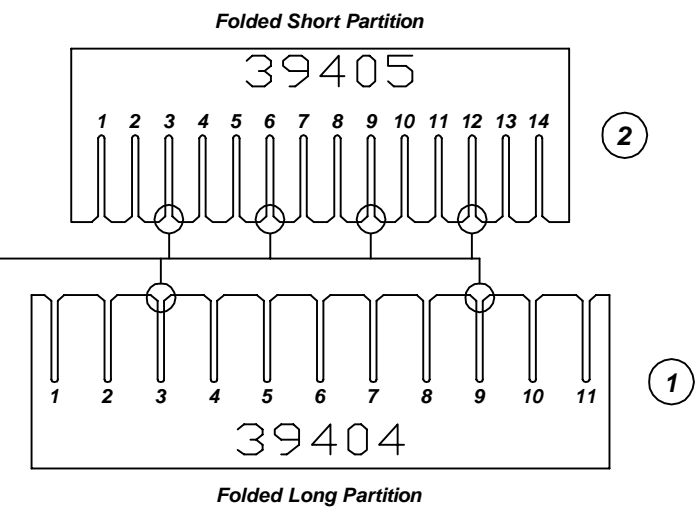


Assembly Instructions for - 38818



Use only the circled slots for partition assembly



Made in America

F/N ①	Part # 39404	Dimensions: 16-3/16" x 21-3/4"	Description: Adjustable Long Partition	Qty: 4
F/N ②	Part # 39405	Dimensions: 16-3/16" x 18-3/4"	Description: Adjustable Short Partition	Qty: 2

38818 - 5 Cell Inplant Handler
Cell Size - 8" x 11-3/4" x 3-1/2"

Notes:
 For use with the following storage container & lid:
 37532 - Storage Container
 37557 - Lid

PROTEKTIVE PAK
 13520 MONTE VISTA AVENUE, CHINO, CA 91710
 PHONE (909) 627-2578, FAX (909) 363-7331
 ProtoktivePak.com



DRAWING NUMBER
IPH-38818

DATE
 Dec.
 2007