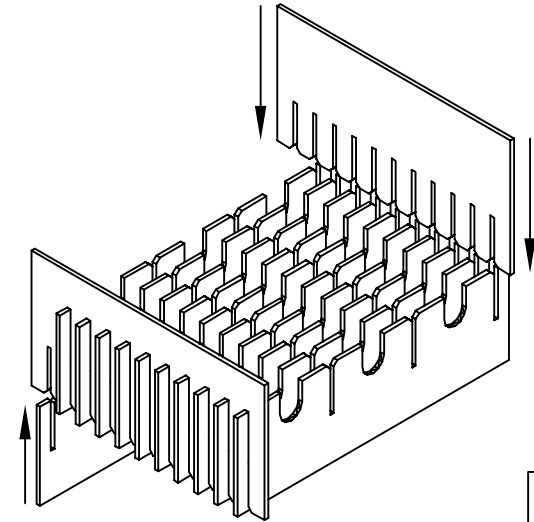
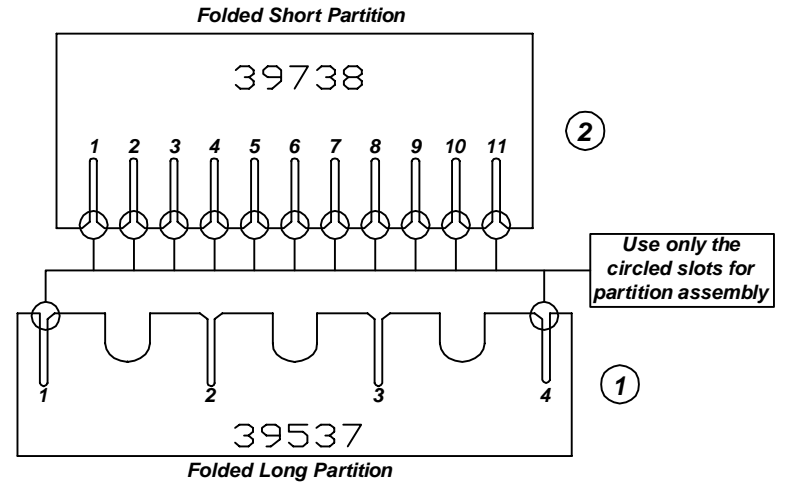
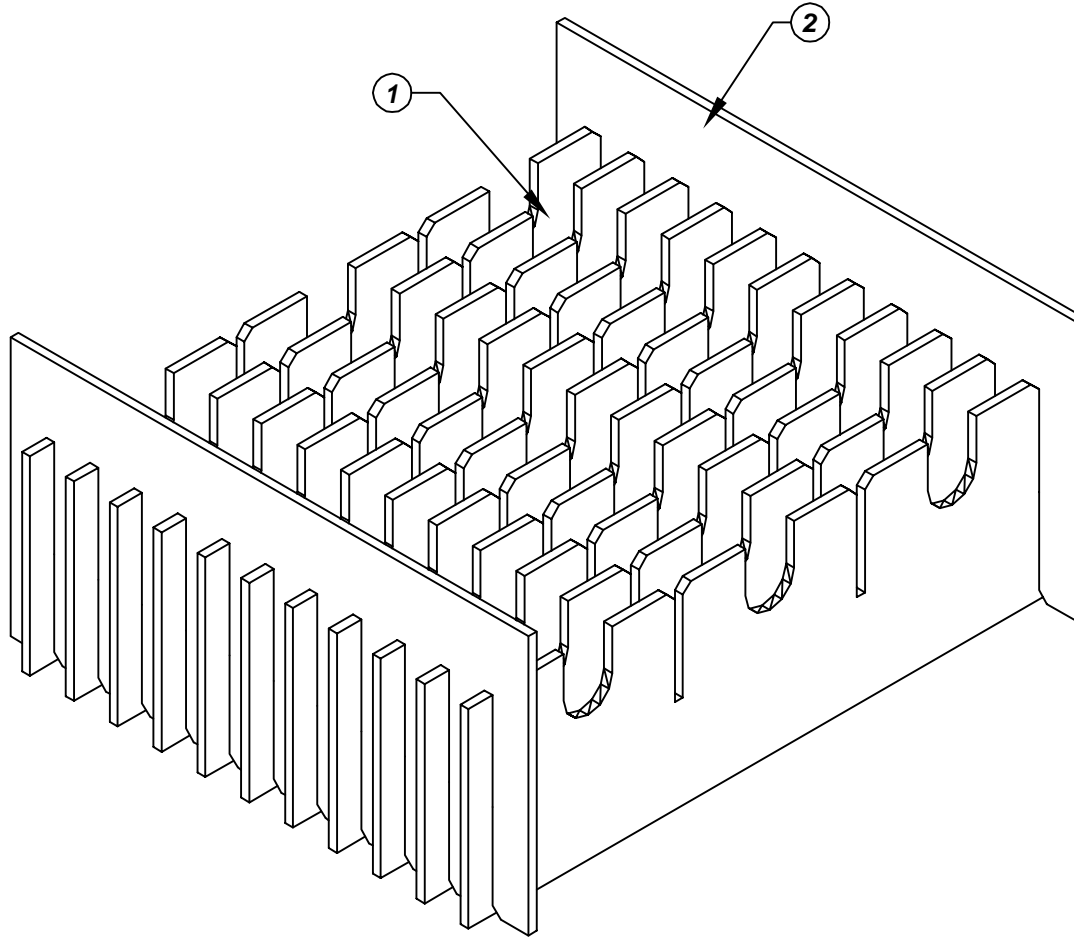


Assembly Instructions for - 37399



Made in America

F/N ①	Part # 39357	Dimensions: 12" x 18-5/8"	Description: 406/468-LP-10/30 Long Partition	Qty: 11
F/N ②	Part # 39738	Dimensions: 16-1/4" x 15"	Description: 468-SP-12 Short Partition	Qty: 2

37399 - 12 Cell Inplant Handler Cell Size - 8" x 16-5/8" x 1"

Notes:
For use with the following storage container & lid:
37527 - Storage Container
37554 - Lid

PROTEKTIVE PAK
13520 MONTE VISTA AVENUE, CHINO, CA 91710
PHONE (909) 627-2578, FAX (909) 363-7331
ProtektivePak.com

PROTEKTIVE PAK
BURIED CONDUCTIVE LAYER

DRAWING NUMBER
IPH-37399

DATE
Dec. 2007