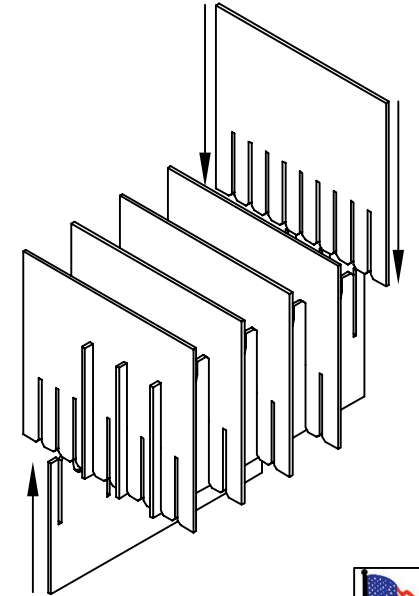
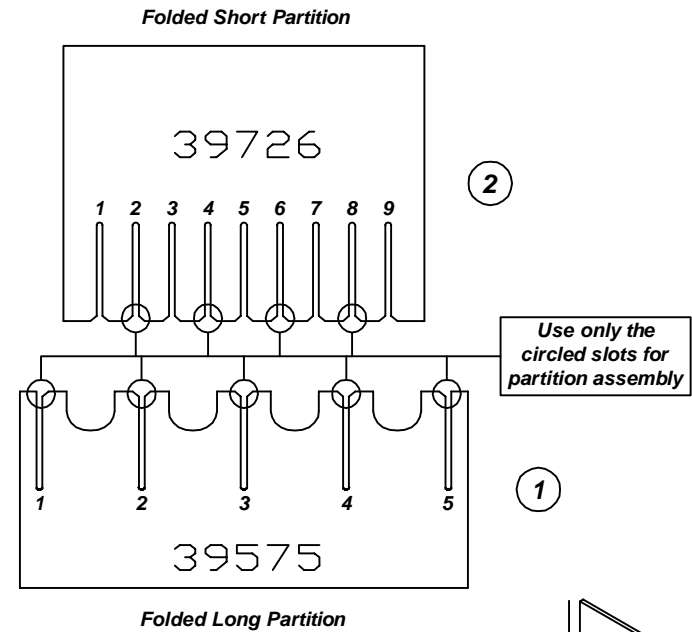
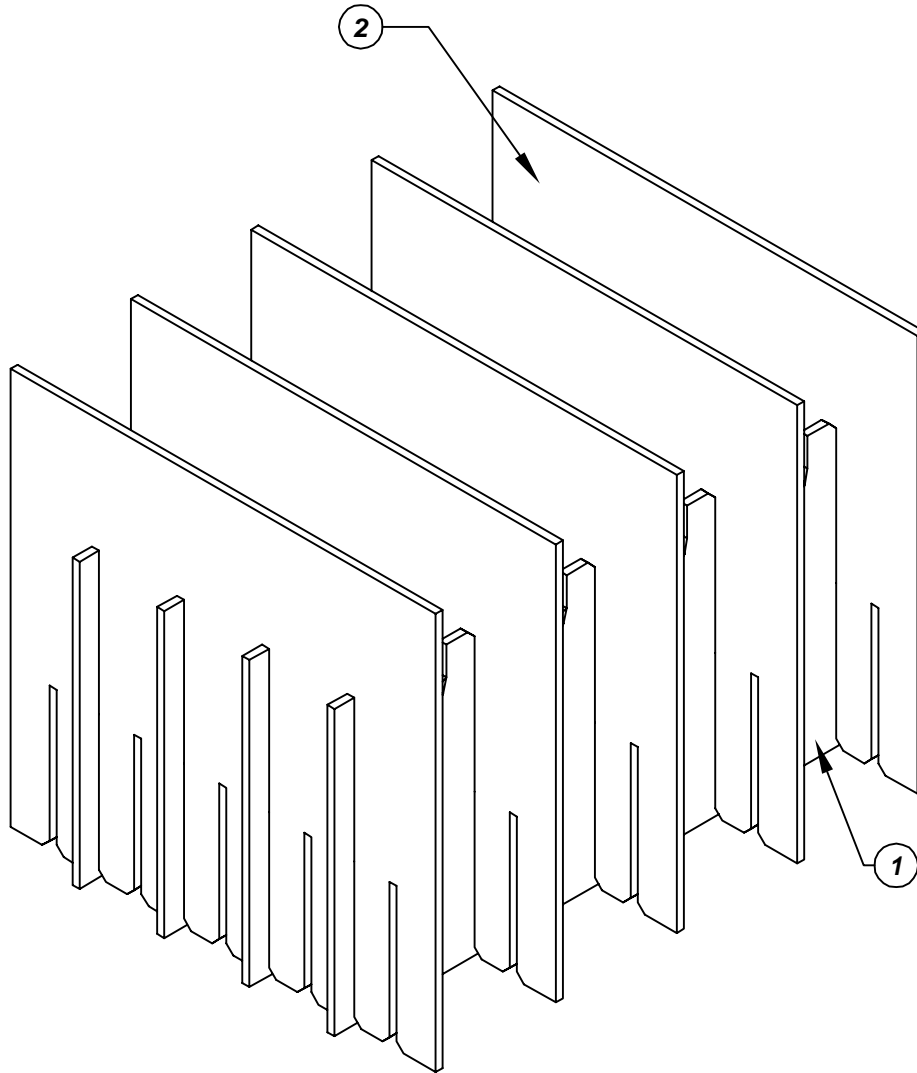


# Assembly Instructions for - 37376



Made in America

F/N ①	Part # <b>39575</b>	Dimensions: <b>20-1/4" x 18-5/8"</b>	Description: <b>460/462/464-LP-20/40 Long Partition</b>	Qty: <b>4</b>
F/N ②	Part # <b>39726</b>	Dimensions: <b>28-1/4" x 15"</b>	Description: <b>464-SP-10 Short Partition</b>	Qty: <b>5</b>

## 37376 - 20 Cell Inplant Handler Cell Size - 14" x 4" x 2-3/4"

Notes:  
For use with the following storage container & lid:  
37526 - Storage Container  
37554 - Lid

PROTEKTIVE PAK  
13520 MONTE VISTA AVENUE, CHINO, CA 91710  
PHONE (909) 627-2578, FAX (909) 363-7331  
ProtectivePak.com



DRAWING NUMBER  
**IPH-37376**

DATE  
**Dec. 2007**