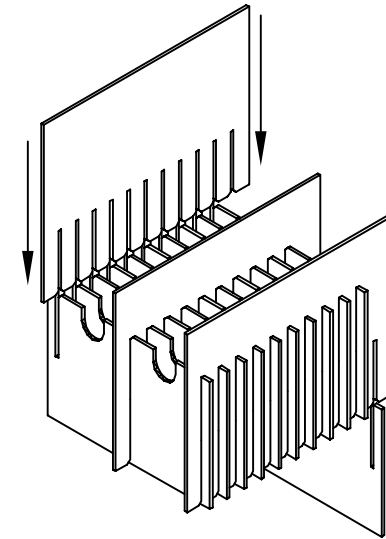
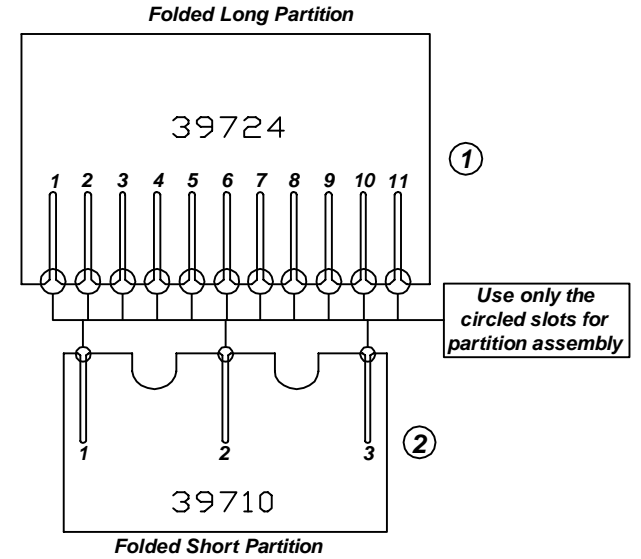
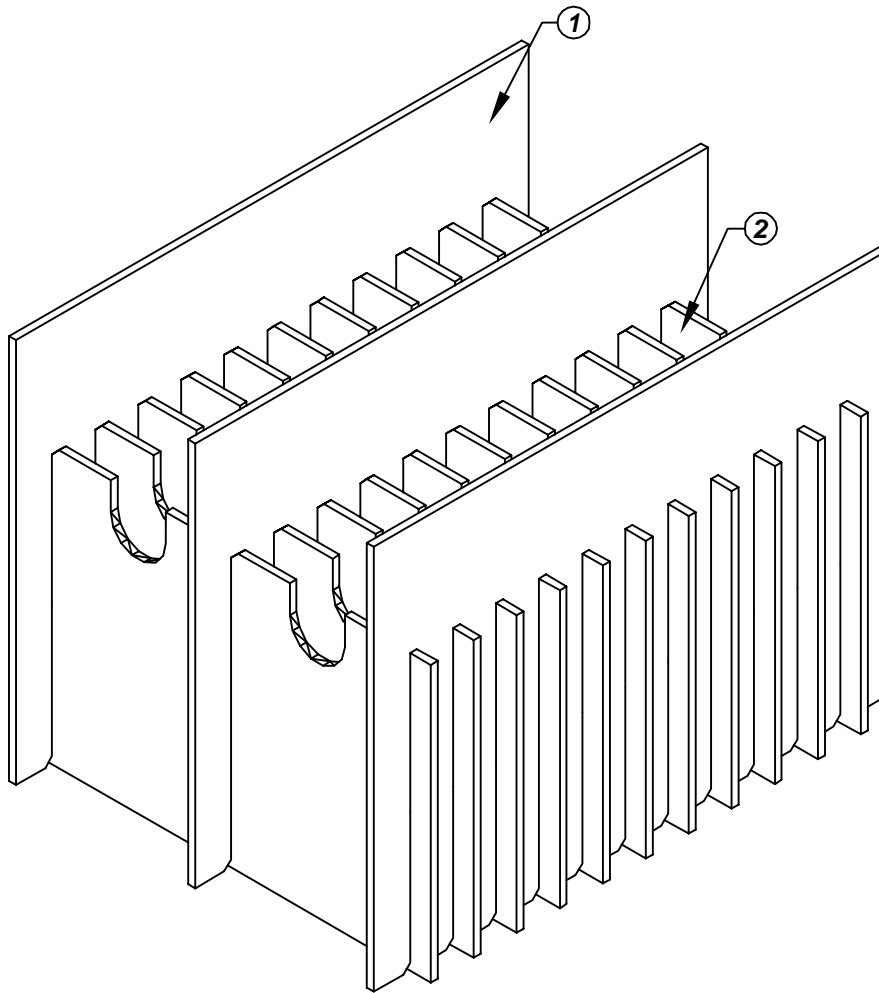


# Assembly Instructions for - 37372



Made in America

F/N	Part #	Dimensions:	Description:	Qty:
①	39724	28-1/4" x 18-5/8"	464-HLP-12 Long Partition	3
②	39710	20-1/4" x 14-3/4"	460/462/464-HSP Short Partition	11

**37372 - 24 Cell Inplant Handler**  
**Cell Size - 14" x 6-1/4" x 1-1/4"**

Notes:  
 For use with the following storage container & lid:  
 37526 - Storage Container  
 37554 - Lid

PROTEKTIVE PAK  
 13520 MONTE VISTA AVENUE, CHINO, CA 91710  
 PHONE (909) 627-2578, FAX (909) 363-7331  
 ProtoktivePak.com

**PROTEKTIVE PAK**  
 BURIED CONDUCTIVE LAYER

DRAWING NUMBER  
**IPH-37372**

DATE  
 Nov.  
 2007