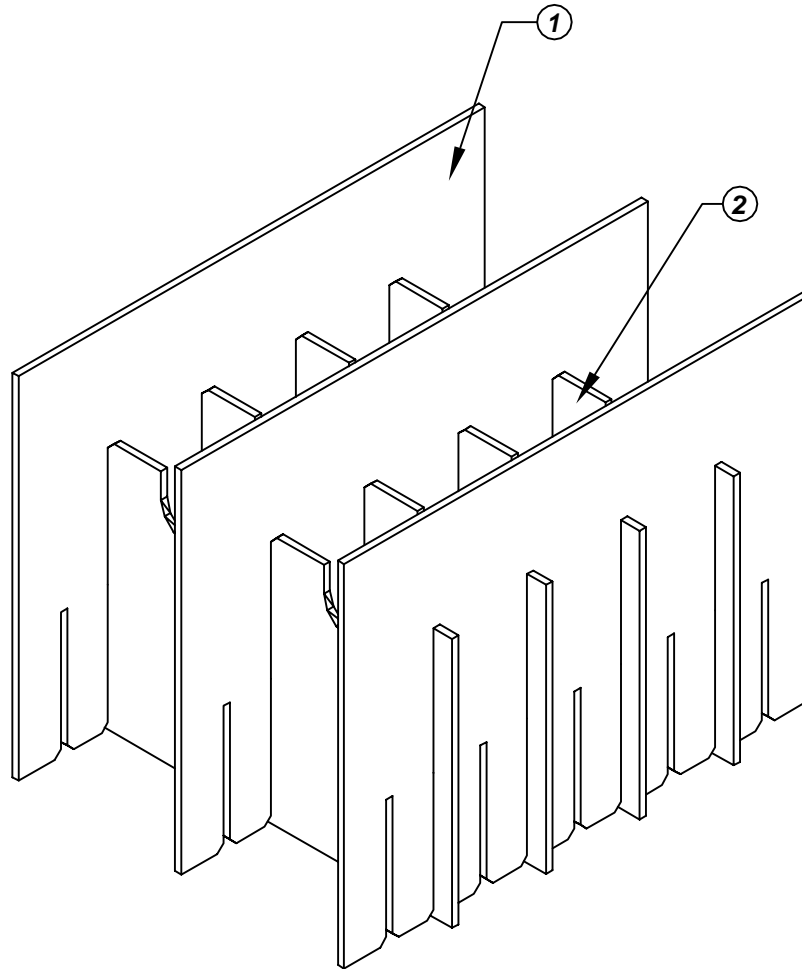
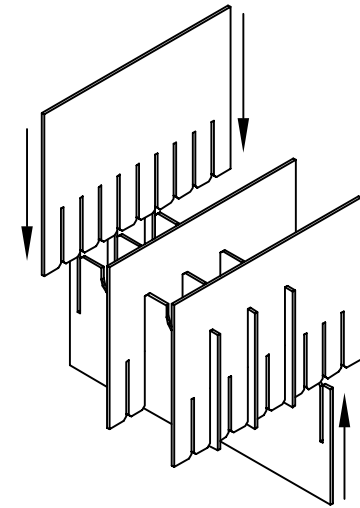
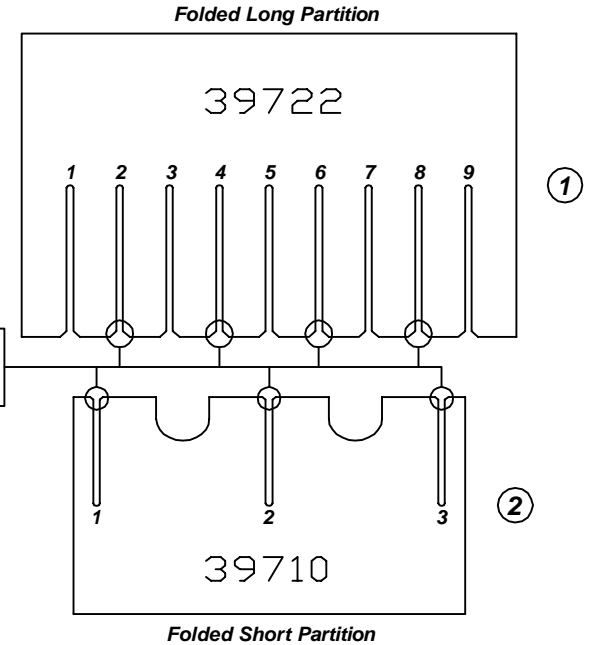


Assembly Instructions for - 37369



Use only the circled slots for partition assembly



Made in America

F/N	Part #	Dimensions:	Description:	Qty:
①	39722	28-1/4" x 18-5/8"	464-HLP-10 Long Partition	3
②	39710	20-1/4" x 14-3/4"	460/462/464-HSP Short Partition	4

37369 - 10 Cell Inplant Handler Cell Size - 14" x 6-1/4" x 3-5/8"

Notes:
For use with the following storage container & lid:
37526 - Storage Container
37554 - Storage Container

PROTEKTIVE PAK
13520 MONTE VISTA AVENUE, CHINO, CA 91710
PHONE (909) 627-2578, FAX (909) 363-7331
ProtektivePak.com



DRAWING NUMBER
IPH-37369

DATE
Nov.
2007