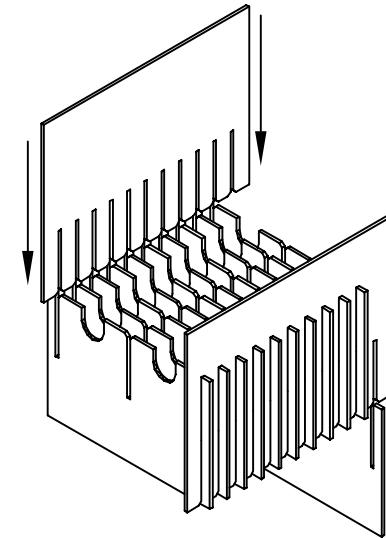
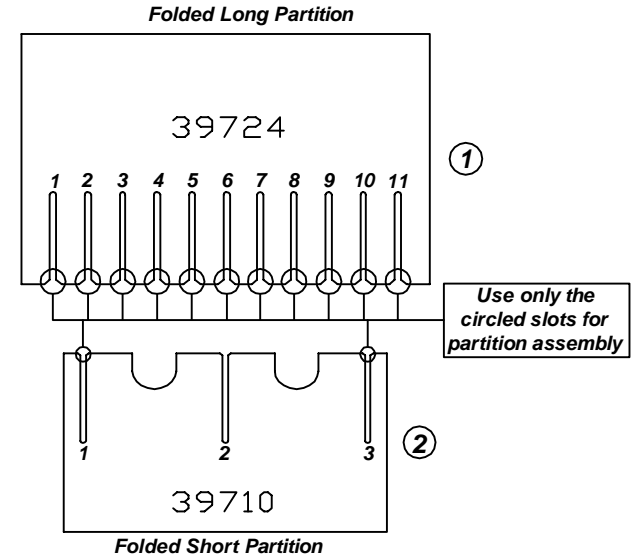
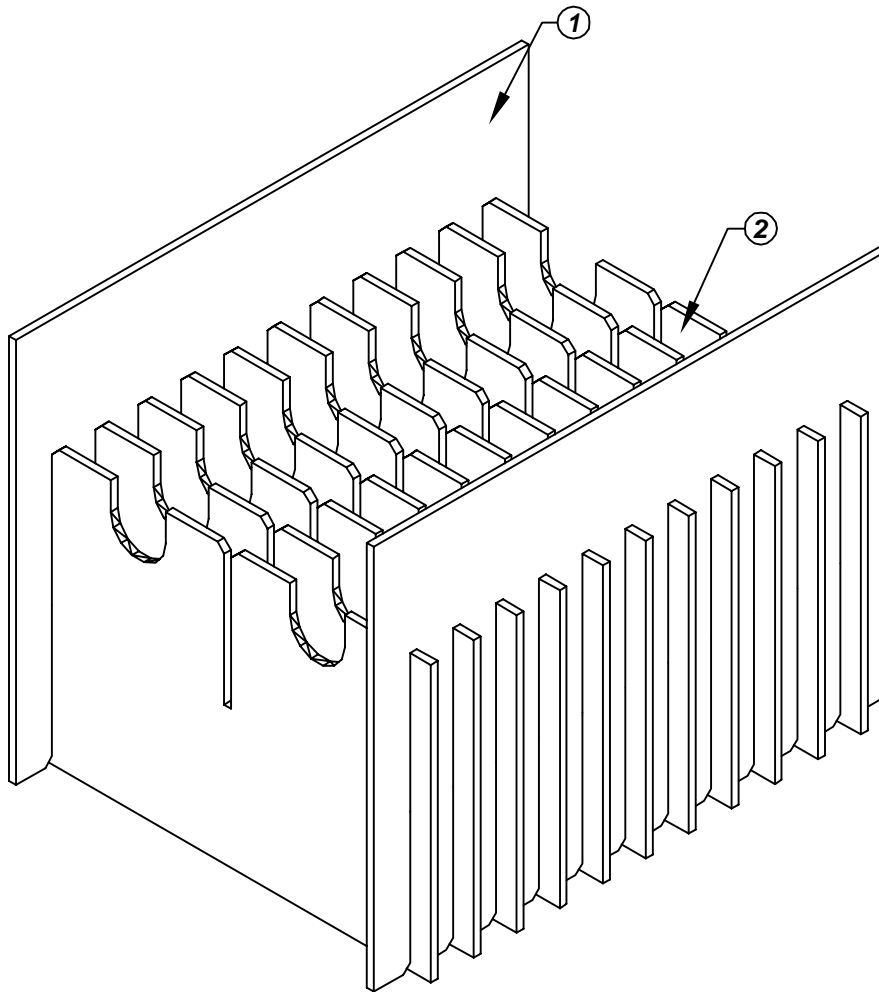


# Assembly Instructions for - 37368



Made in America

F/N	Part #	Dimensions:	Description:	Qty:
①	39724	28-1/4" x 18-5/8"	464-HLP-12 Long Partition	2
②	39710	20-1/4" x 14-3/4"	460/462/464-HSP Short Partition	11

## 37368 - 12 Cell Inplant Handler Cell Size - 14" x 12-3/4" x 1-1/4"

Notes:  
For use with the following storage container & lid:  
37526 - Storage Container  
37554 - Lid

PROTEKTIVE PAK  
13520 MONTE VISTA AVENUE, CHINO, CA 91710  
PHONE (909) 627-2578, FAX (909) 363-7331  
ProtektivePak.com

**PROTEKTIVE PAK**  
BURIED CONDUCTIVE LAYER

DRAWING NUMBER  
**IPH-37368**

DATE  
Nov.  
2007