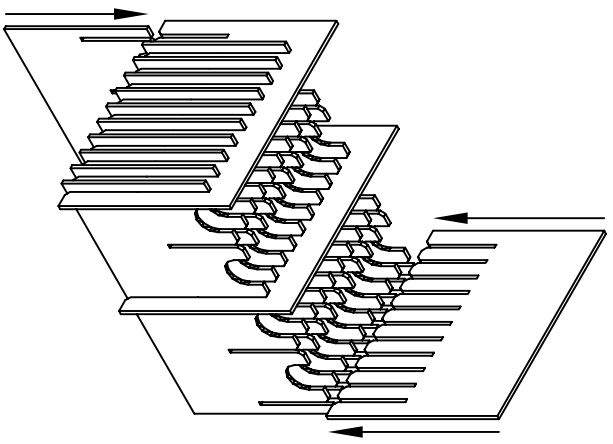
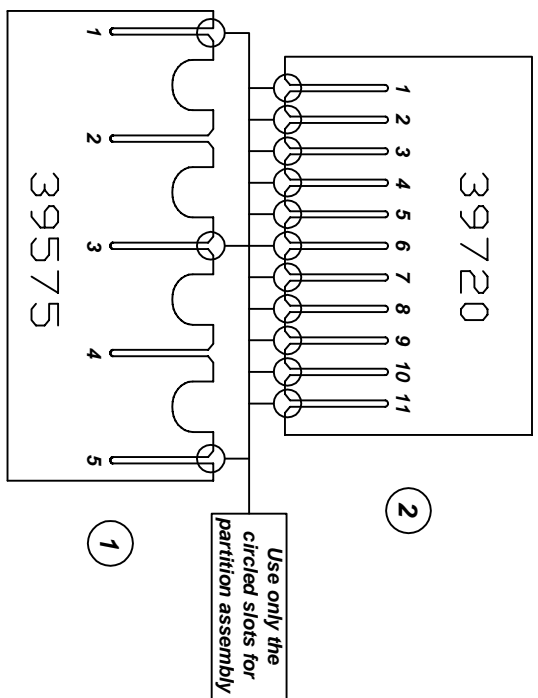
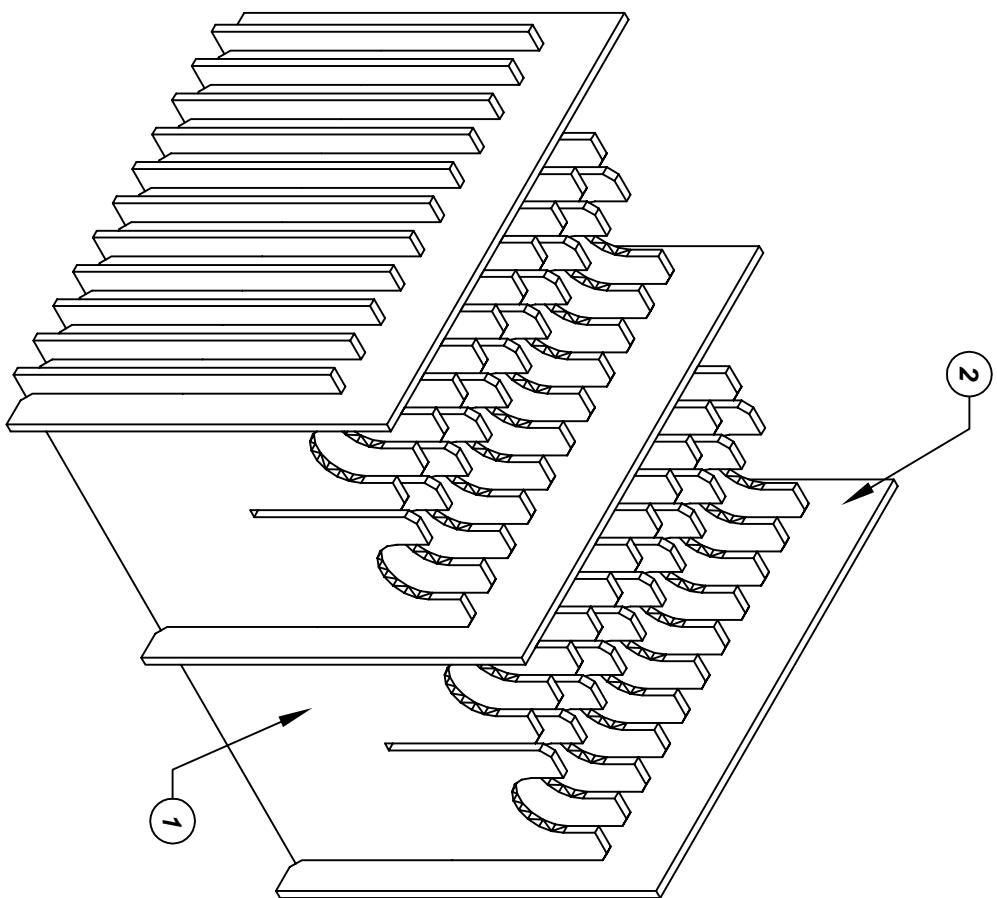


# Assembly Instructions for - 37364



Made in America 

|     |        |                   |                                      |      |
|-----|--------|-------------------|--------------------------------------|------|
| F/N | Part # | Dimensions:       | Description:                         | Qty: |
| 1   | 39575  | 20-1/4" x 18-5/8" | 460/462/464-L-P-20/40 Long Partition | 11   |
| F/N | Part # | Dimensions:       | Description:                         | Qty: |
| 2   | 39720  | 24-1/4" x 15"     | 462-SP-12 Short Partition            | 3    |

**37364 - 24 Cell Implant Handler**  
**Cell Size - 12" x 8-1/8" x 1"**

**PROTEKTIVE PAK**  
 RUBBED CONDUCTIVE LAYER

DRAWING NUMBER  
**IPH-37364**

DATE  
 Dec. 2007

Notes:  
 For use with the following storage container & lid:  
 37525 - Storage Container  
 37554 - Lid

PROTEKTIVE PAK  
 13520 MONTE VISTA AVENUE, CHINO, CA 91710  
 PHONE (909) 627-2578, FAX (909) 363-7331  
 ProtektivePak.com