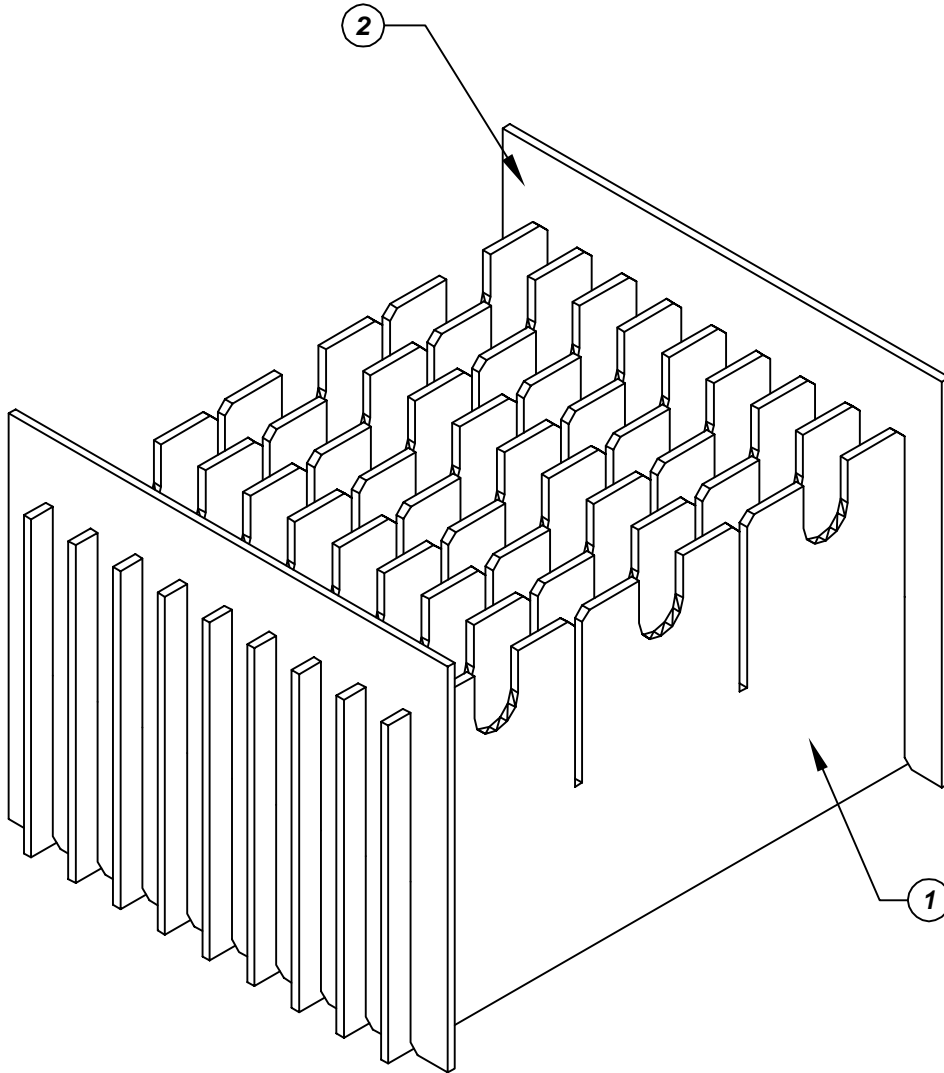
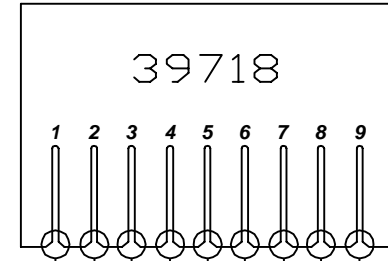


# Assembly Instructions for - 37359

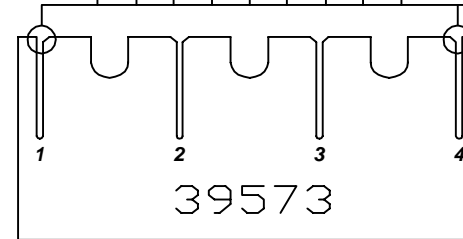


Folded Short Partition



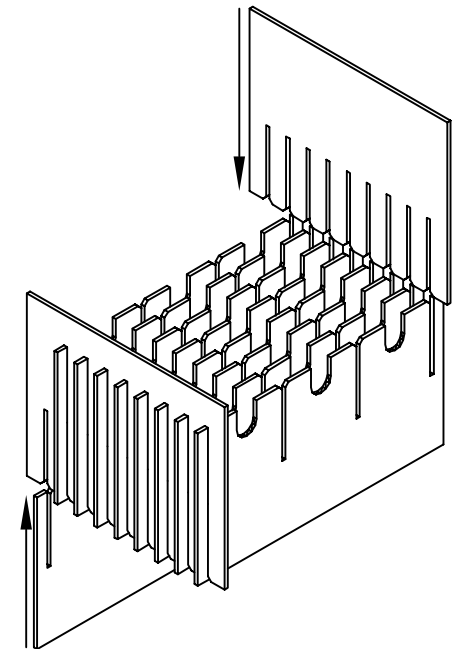
2

Use only the circled slots for partition assembly



1

Folded Long Partition



Made in America

F/N ①	Part # 39573	Dimensions: 20-1/4" x 18-5/8"	Description: 460-LP-10/30 Long Partition	Qty: 9
F/N ②	Part # 39718	Dimensions: 24-1/4" x 15"	Description: 462-SP-10 Short Partition	Qty: 2

## 37359 - 10 Cell Inplant Handler Cell Size - 12" x 16-5/8" x 1-1/4"

Notes:  
For use with the following storage container & lid:  
37525 - Storage Container  
37554 - Lid

PROTEKTIVE PAK  
13520 MONTE VISTA AVENUE, CHINO, CA 91710  
PHONE (909) 627-2578, FAX (909) 363-7331  
ProtectivePak.com



DRAWING NUMBER  
**IPH-37359**

DATE  
Dec.  
2007