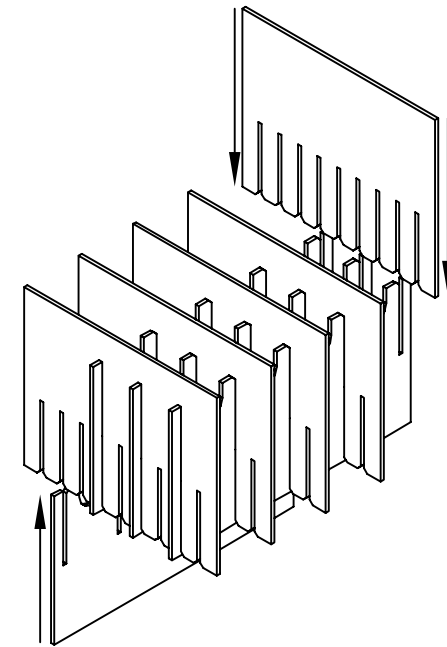
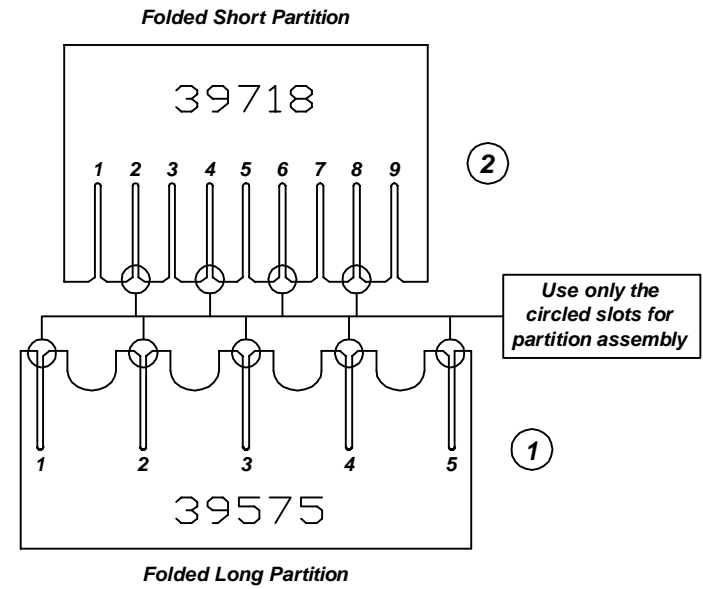
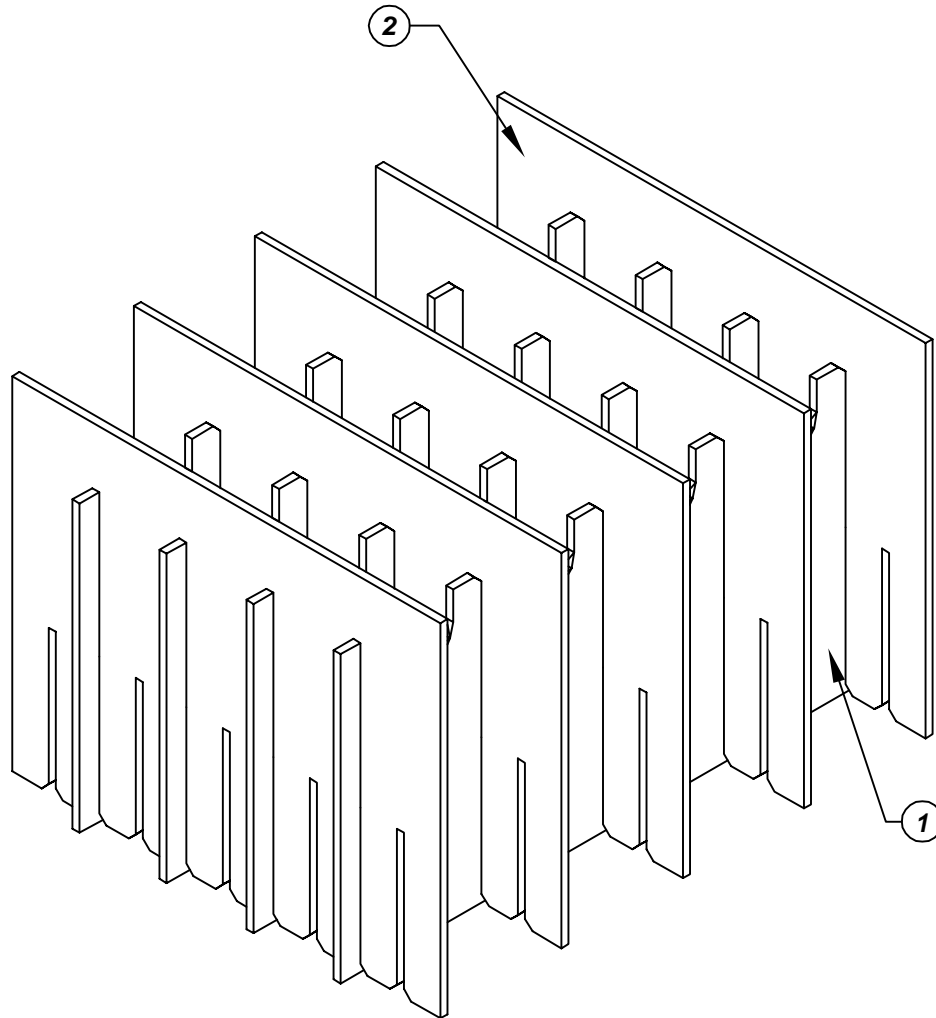


# Assembly Instructions for - 37358



Made in America

F/N ①	Part # <b>39575</b>	Dimensions: <b>20-1/4" x 18-5/8"</b>	Description: <b>460/462/464-LP-20/40 Long Partition</b>	Qty: <b>4</b>
F/N ②	Part # <b>39718</b>	Dimensions: <b>24-1/4" x 15"</b>	Description: <b>462-SP-10 Short Partition</b>	Qty: <b>5</b>

## 37358 - 20 Cell Inplant Handler Cell Size - 12" x 4" x 2-3/4"

Notes:  
For use with the following storage container & lid:  
37525 - Storage Container  
37554 - Lid

PROTEKTIVE PAK  
13520 MONTE VISTA AVENUE, CHINO, CA 91710  
PHONE (909) 627-2578, FAX (909) 363-7331  
ProtektivePak.com

**PROTEKTIVE PAK**  
BURIED CONDUCTIVE LAYER

DRAWING NUMBER  
**IPH-37358**

DATE  
Dec.  
2007