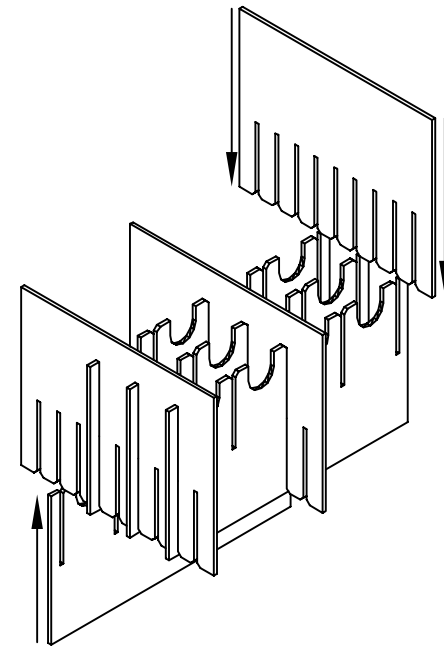
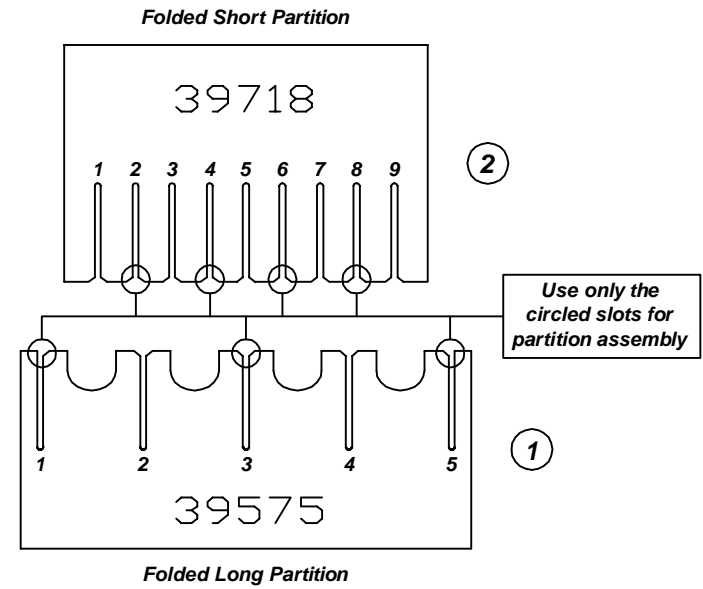
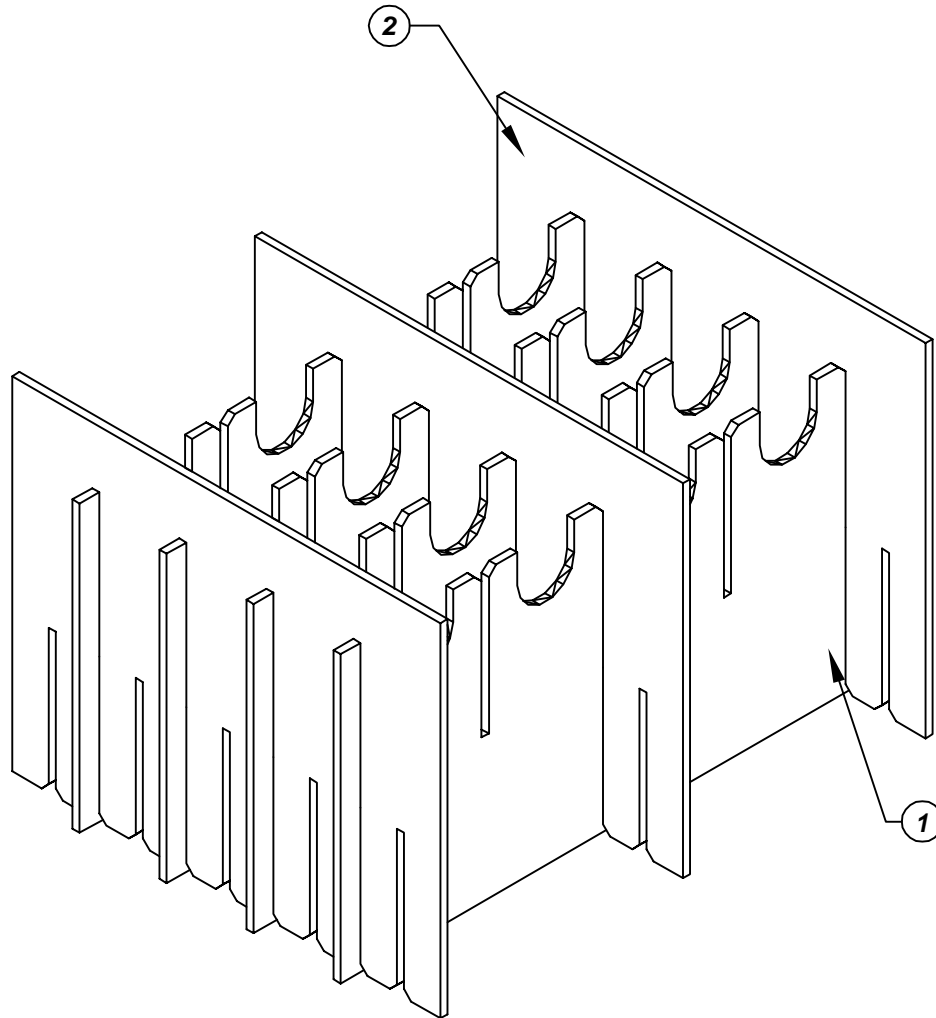


# Assembly Instructions for - 37356



Made in America

F/N ①	Part # <b>39575</b>	Dimensions: <b>20-1/4" x 18-5/8"</b>	Description: <b>460/462/464-LP-20/40 Long Partition</b>	Qty: <b>4</b>
F/N ②	Part # <b>39718</b>	Dimensions: <b>24-1/4" x 15"</b>	Description: <b>462-SP-10 Short Partition</b>	Qty: <b>3</b>

## 37356 - 10 Cell Inplant Handler Cell Size - 12" x 8-1/8" x 2-3/4"

Notes:  
For use with the following storage container & lid:  
37525 - Storage Container  
37554 - Lid

PROTEKTIVE PAK  
13520 MONTE VISTA AVENUE, CHINO, CA 91710  
PHONE (909) 627-2578, FAX (909) 363-7331  
ProtektivePak.com



DRAWING NUMBER  
**IPH-37356**

DATE  
**Dec. 2007**