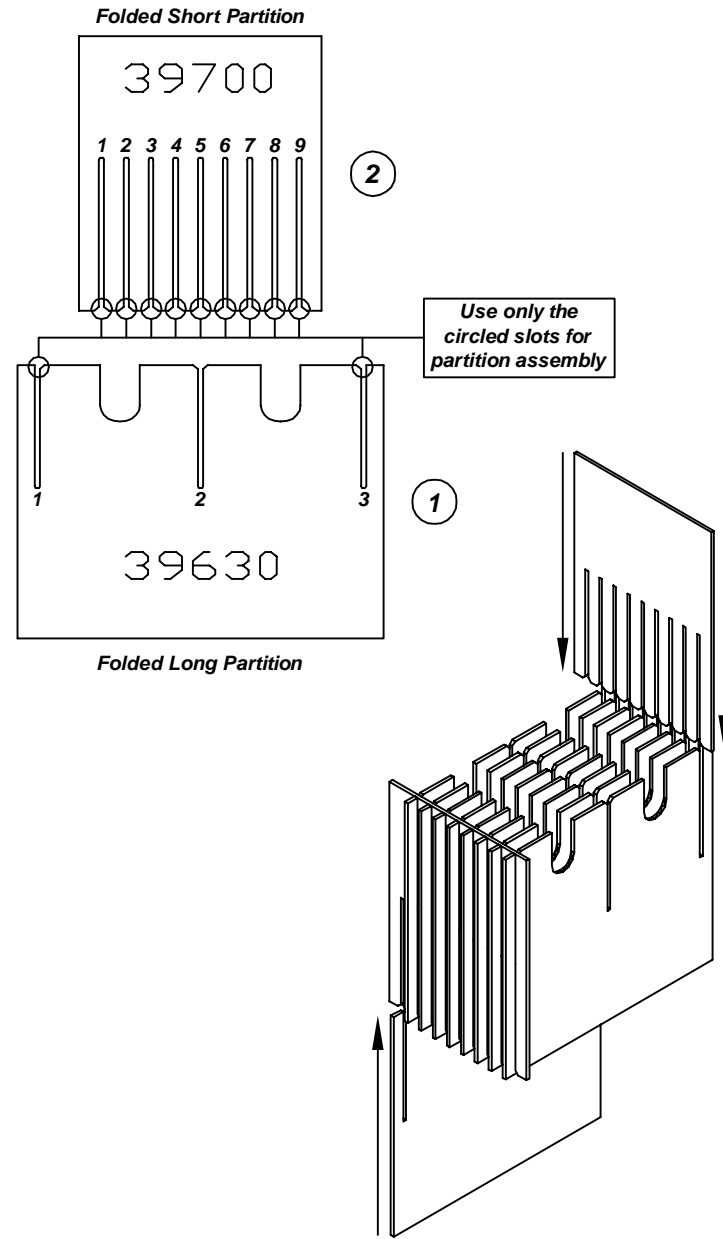
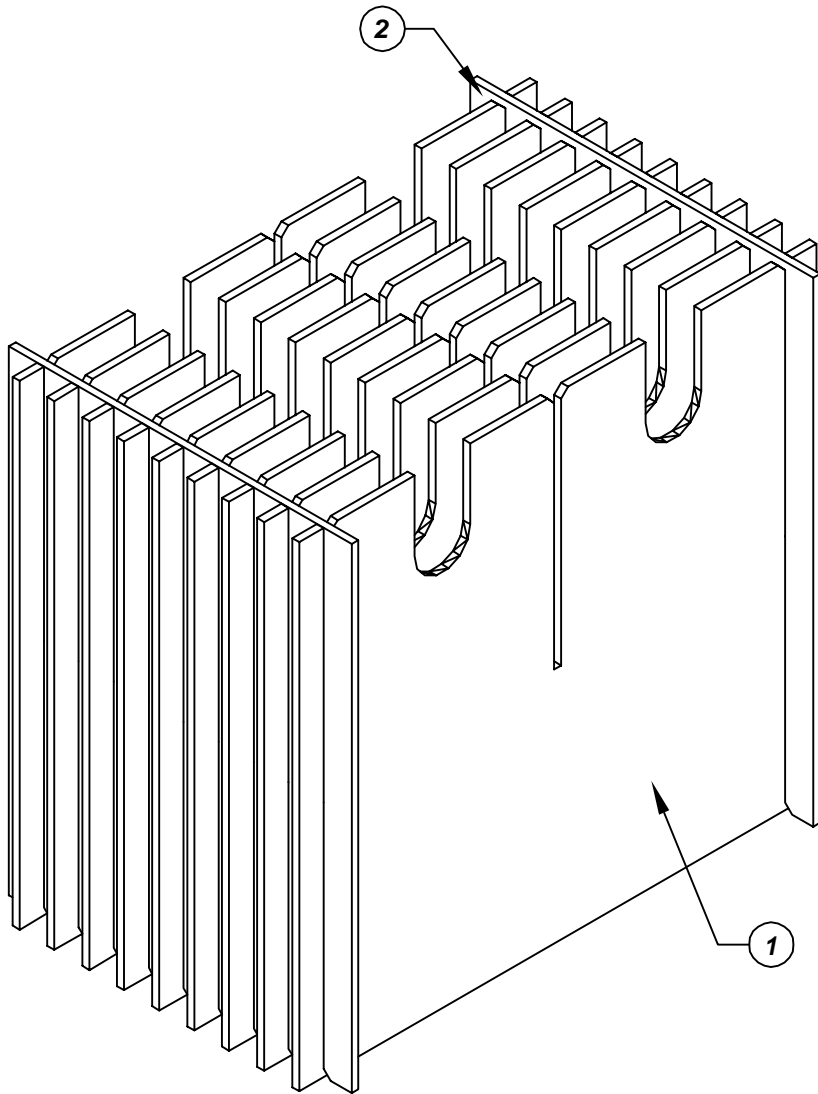


Assembly Instructions for - 37319



Made in America

F/N ①	Part # 39630	Dimensions: 34-1/8" x 18-3/8"	Description: 405/457-LP Long Partition	Qty: 9
F/N ②	Part # 39700	Dimensions: 34-1/4" x 12-1/4"	Description: 457-SP Short Partition	Qty: 2

Notes:
For use with the following storage container & lid:
37521 - Storage Container
37553 - Lid

PROTEKTIVE PAK
13520 MONTE VISTA AVENUE, CHINO, CA 91710
PHONE (909) 627-2578, FAX (909) 363-7331
ProtektivePak.com

PROTEKTIVE PAK
BURIED CONDUCTIVE LAYER

DRAWING NUMBER
IPH-37319

DATE
Dec.
2007

37319 - 10 Cell Inplant Handler
Cell Size - 17-1/8" x 16" x 1"