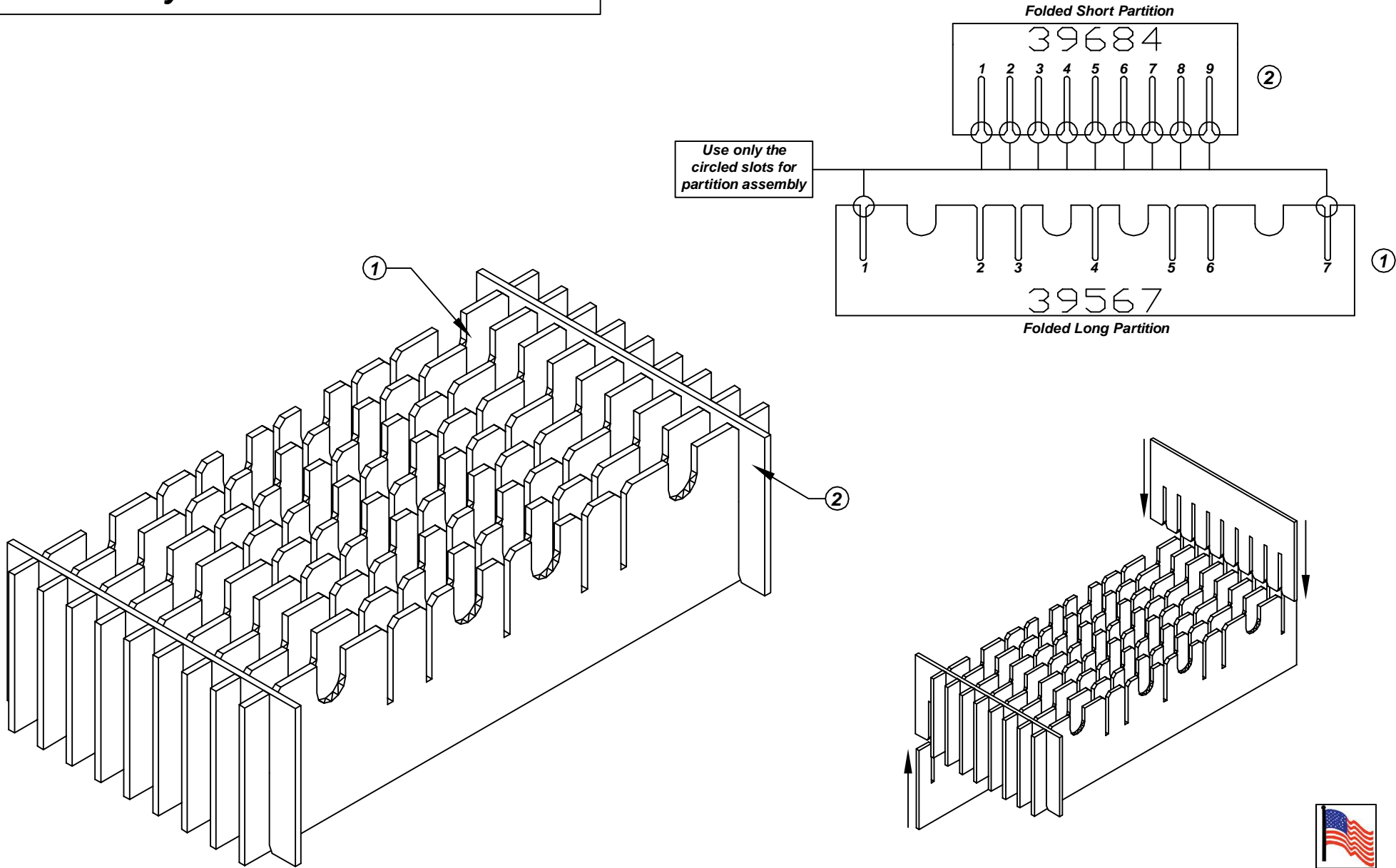


# Assembly Instructions for - 37290



Made in America

F/N ①	Part # 39567	Dimensions: 12-1/8" x 22-3/4"	Description: 448/446 - LP Long Partition	Qty: 9
F/N ②	Part # 39684	Dimensions: 12-1/8" x 12-1/2"	Description: 446 - SP Short Partition	Qty: 2

## 37290 - 10 Cell Inplant Handler Cell Size - 6" x 20-1/8" x 1"

Notes:  
For use with the following storage container & lid:  
37516 - Storage Container  
37552 - Lid

PROTEKTIVE PAK  
13520 MONTE VISTA AVENUE, CHINO, CA 91710  
PHONE (909) 627-2578, FAX (909) 363-7331  
ProtectivePak.com



DRAWING NUMBER  
**IPH-37290**

DATE  
Dec.  
2007