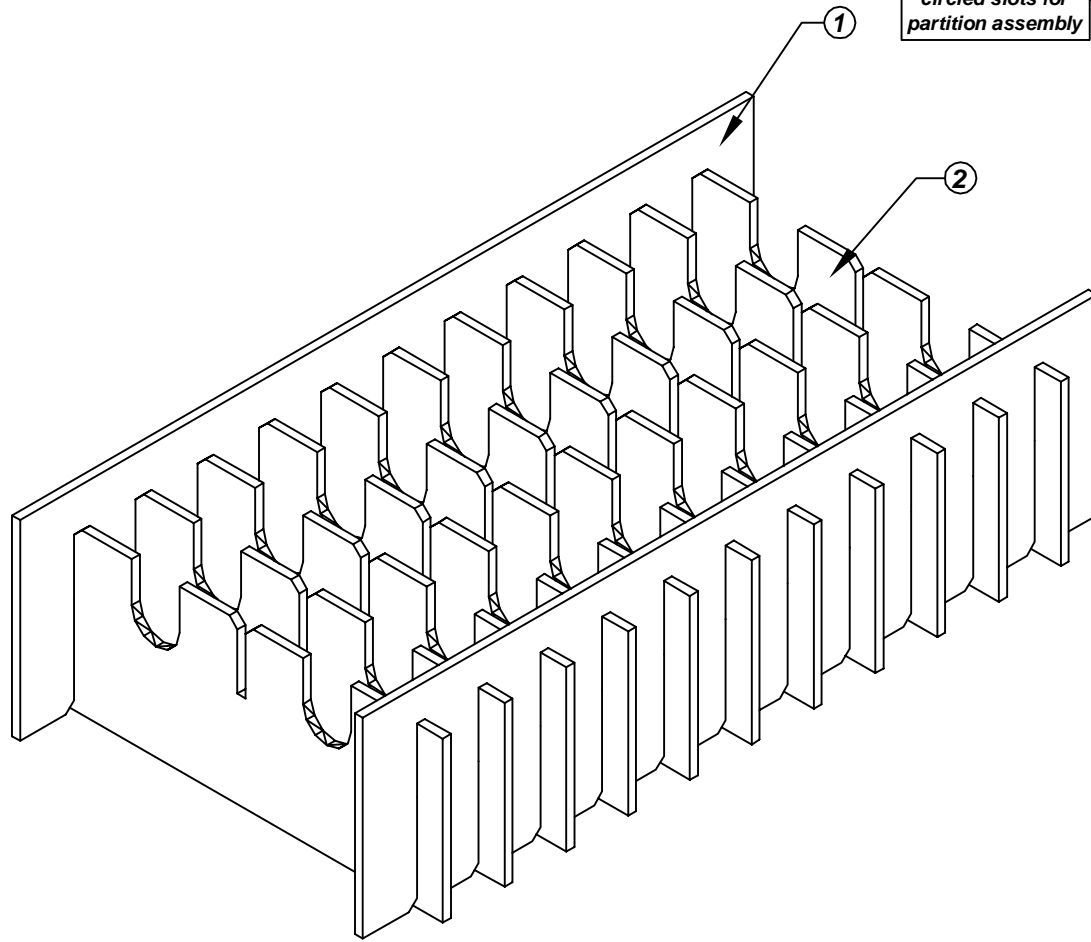
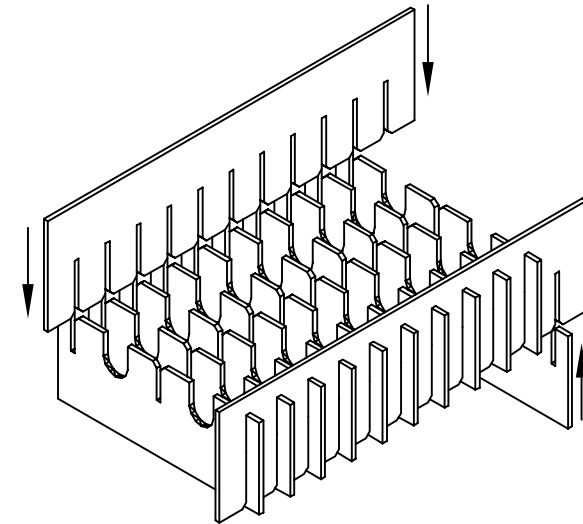
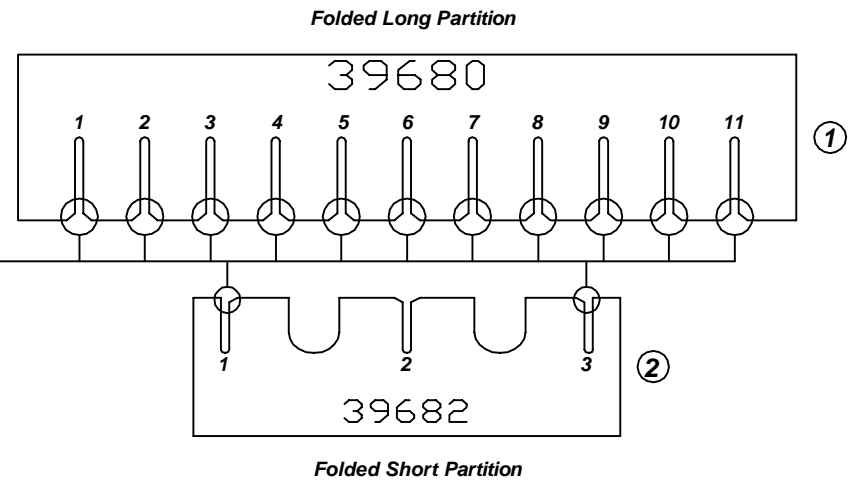


# Assembly Instructions for - 37283



Use only the circled slots for partition assembly



Made in America

F/N ①	Part # 39680	Dimensions: 12-1/4" x 23"	Description: 446-HLP Long Partition	Qty: 2
F/N ②	Part # 39682	Dimensions: 10-1/4" x 12 5/8"	Description: 446-HSP Short Partition	Qty: 11

## 37283 - 12 Cell Inplant Handler Cell Size - 6" x 10-3/4" x 1-5/8"

Notes:  
For use with the following storage container & lid:  
37516 - Storage Container  
37552 - Lid

PROTEKTIVE PAK  
13520 MONTE VISTA AVENUE, CHINO, CA 91710  
PHONE (909) 627-2578, FAX (909) 363-7331  
ProtectivePak.com

**PROTEKTIVE PAK**  
BURIED CONDUCTIVE LAYER

DRAWING NUMBER  
**IPH-37283**

DATE  
Nov.  
2007