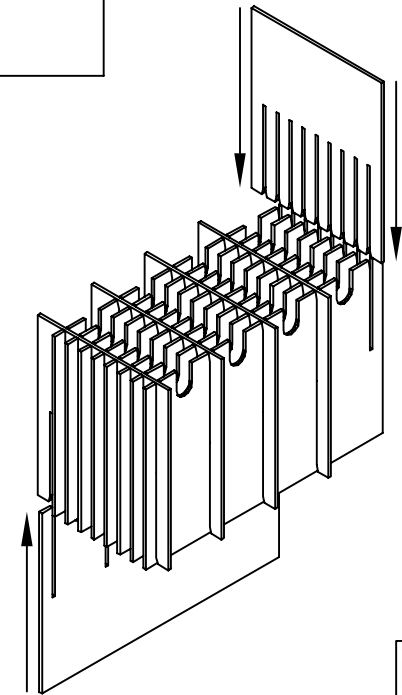
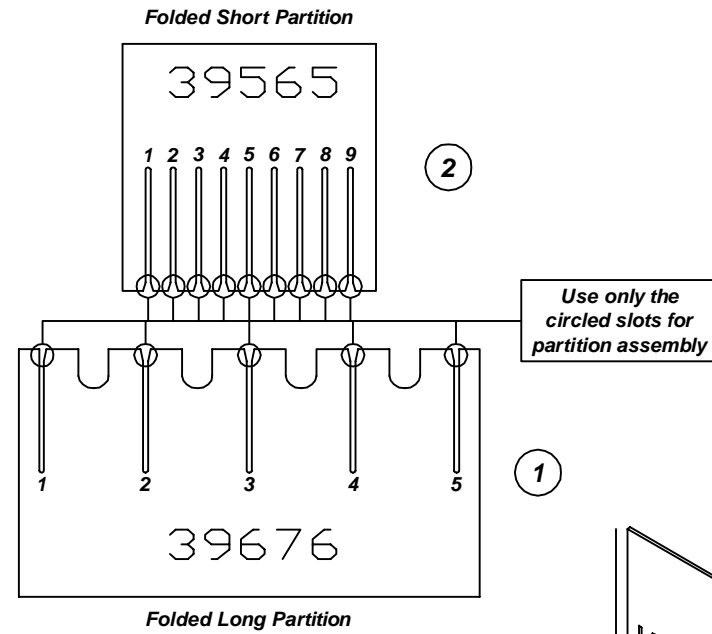
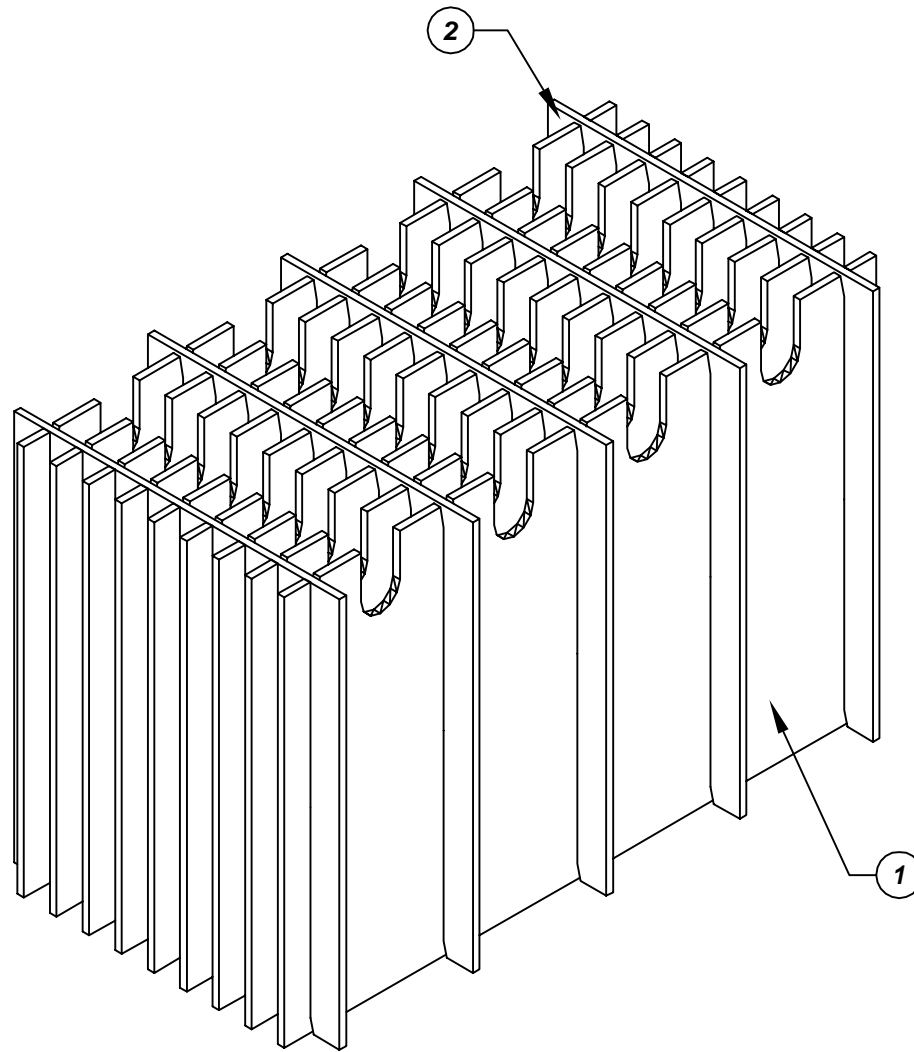


Assembly Instructions for - 37281



Made in America

F/N ①	Part # 39676	Dimensions: 30-1/4" x 22-3/4"	Description: 445-LP-40 Long Partition	Qty: 9
F/N ②	Part # 39565	Dimensions: 30-1/16" x 12-1/2"	Description: 445-SP Short Partition	Qty: 5

Notes:
For use with the following storage container & lid:
37515 - Storage Container
37552 - Lid

PROTEKTIVE PAK
13520 MONTE VISTA AVENUE, CHINO, CA 91710
PHONE (909) 627-2578, FAX (909) 363-7331
ProtektivePak.com



DRAWING NUMBER
IPH-37281

DATE
Dec. 2007

37281 - 40 Cell Inplant Handler
Cell Size - 15-1/4" x 4-3/4" x 1"