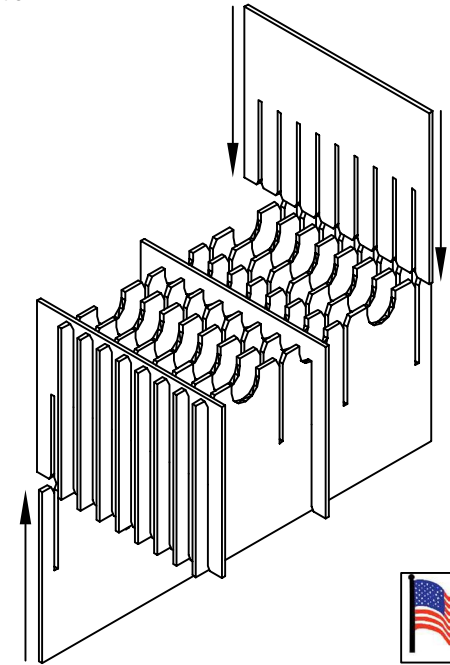
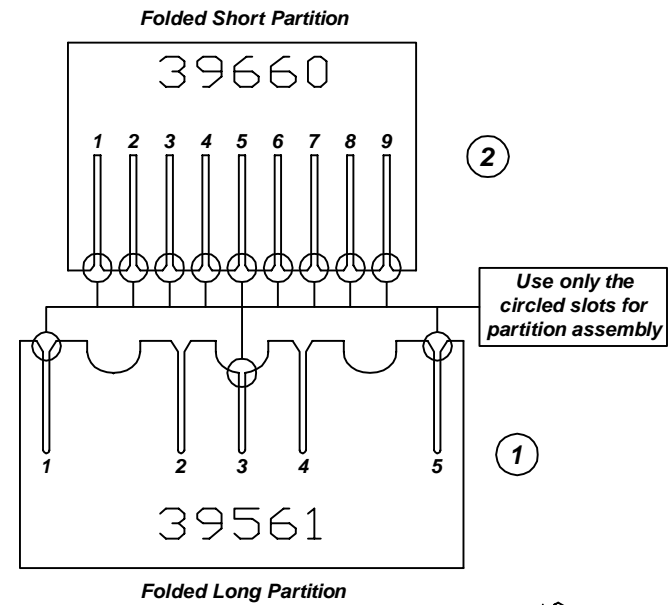
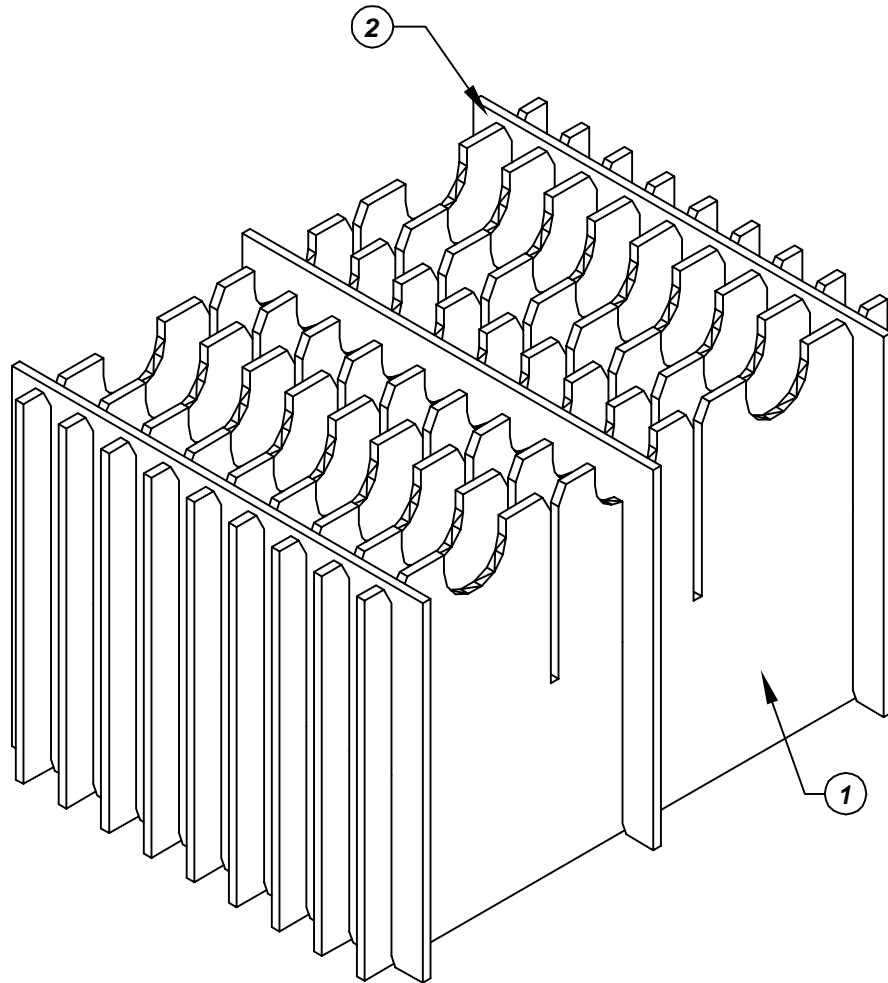


# Assembly Instructions for - 37256



Made in America

F/N ①	Part # <b>39561</b>	Dimensions: <b>21-1/2" x 16-7/8"</b>	Description: <b>439/403/434-LP Long Partition</b>	Qty: <b>9</b>
F/N ②	Part # <b>39660</b>	Dimensions: <b>21-1/2" x 13-1/8"</b>	Description: <b>439-SP Short Partition</b>	Qty: <b>3</b>

## 37256 - 20 Cell Inplant Handler Cell Size - 10-3/4" x 7-1/8" x 1"

Notes:  
For use with the following storage container & lid:  
37513 - Storage Container  
37551 - Lid

PROTEKTIVE PAK  
13520 MONTE VISTA AVENUE, CHINO, CA 91710  
PHONE (909) 627-2578, FAX (909) 363-7331  
ProtektivePak.com



DRAWING NUMBER  
**IPH-37256**

DATE  
**Dec. 2007**