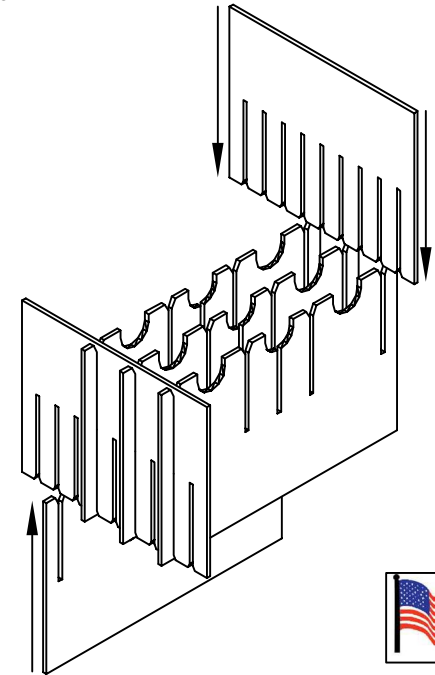
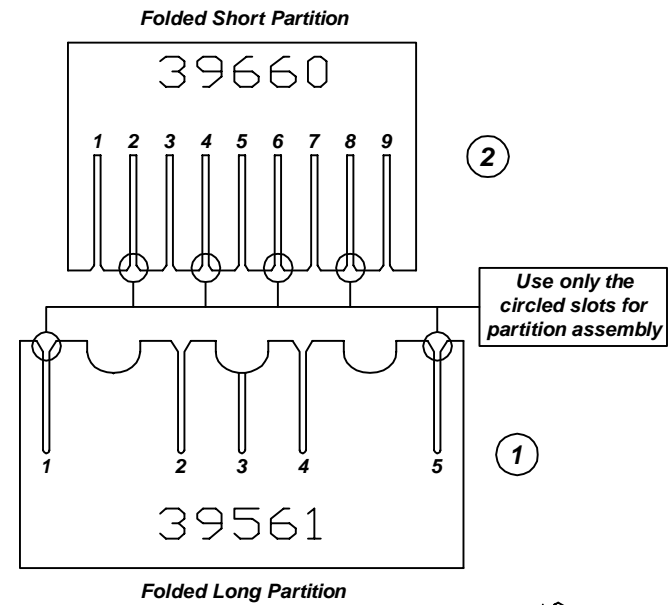
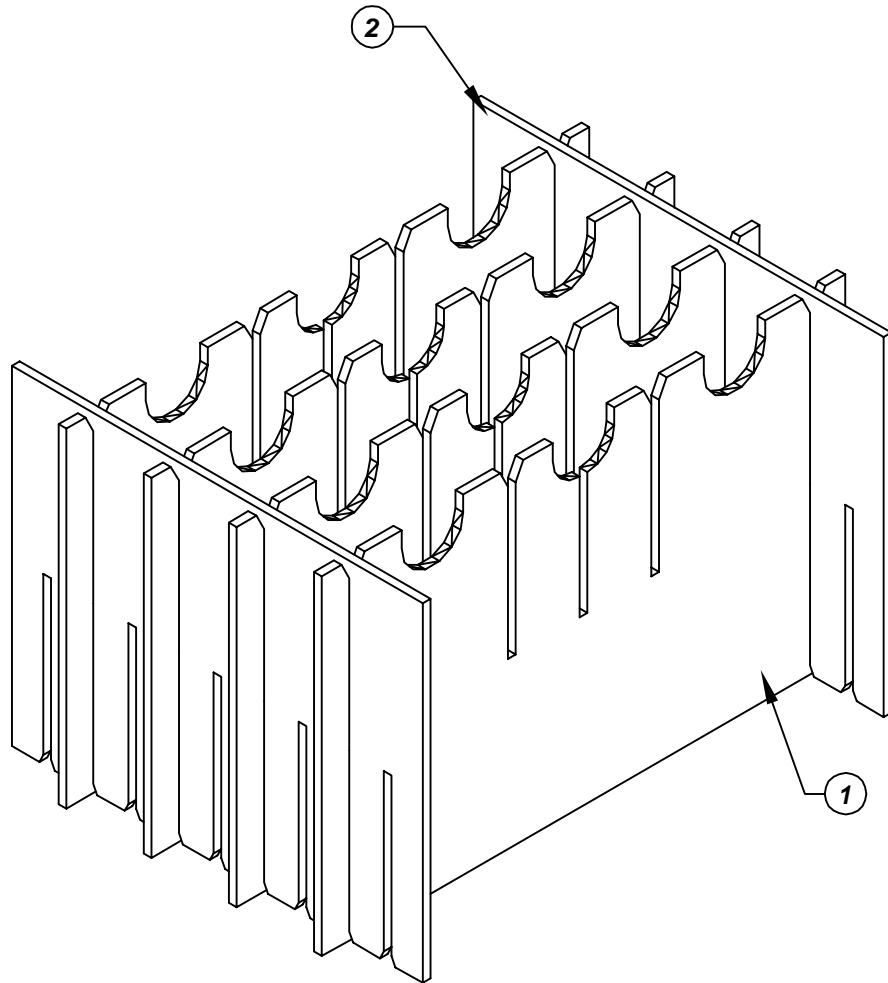


Assembly Instructions for - 37252



Made in America

F/N ①	Part # 39561	Dimensions: 21-1/2" x 16-7/8"	Description: 439/403/434-LP Long Partition	Qty: 4
F/N ②	Part # 39660	Dimensions: 21-1/2" x 13-1/8"	Description: 439-SP Short Partition	Qty: 2

37252 - 5 Cell Inplant Handler
Cell Size - 10-3/4" x 14-5/8" x 2-3/8"

Notes:
 For use with the following storage container & lid:
 37513 - Storage Container
 37551 - Lid

PROTEKTIVE PAK
 13520 MONTE VISTA AVENUE, CHINO, CA 91710
 PHONE (909) 627-2578, FAX (909) 363-7331
 ProtectivePak.com



DRAWING NUMBER
IPH-37252

DATE
 Dec.
 2007