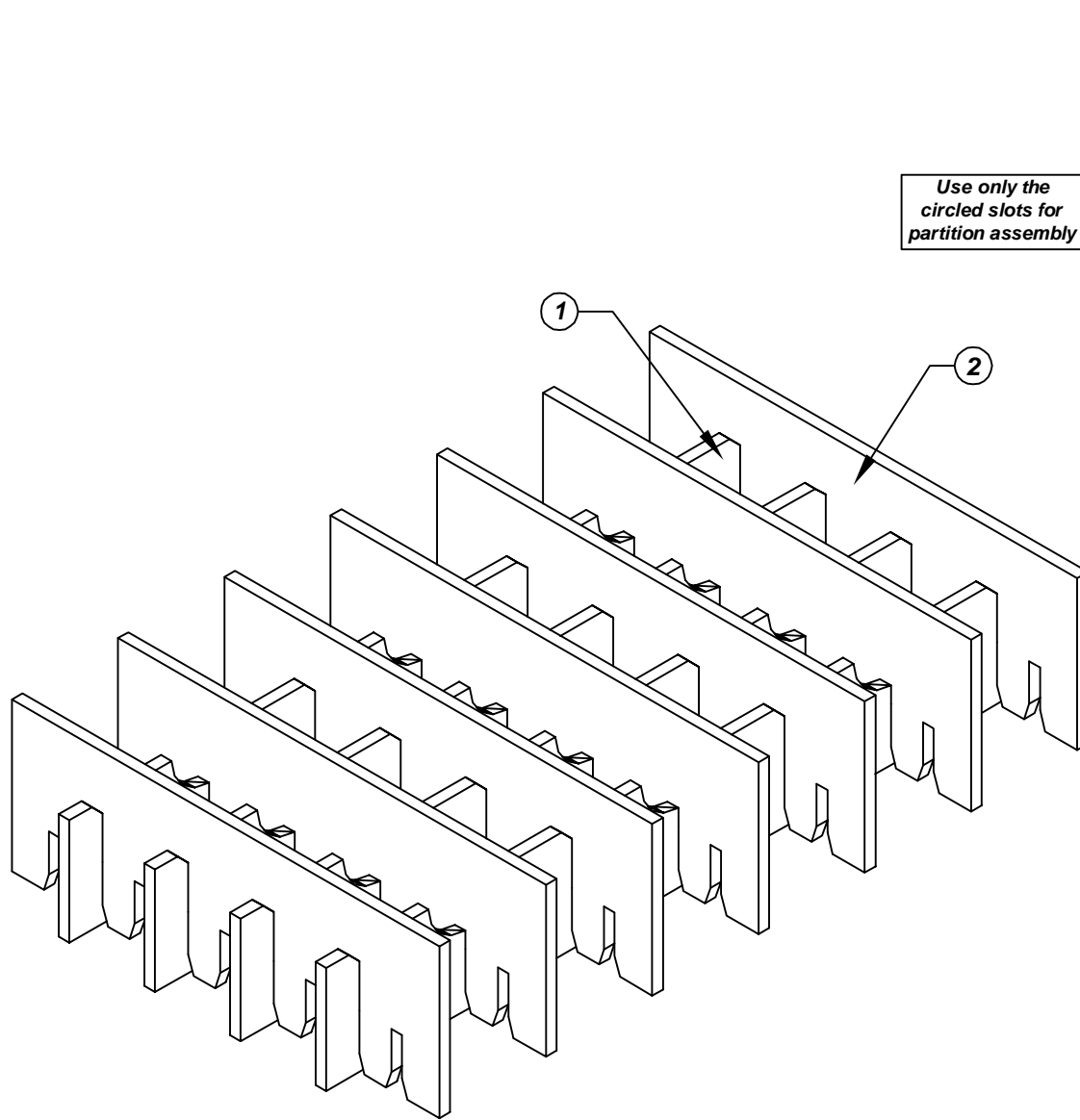
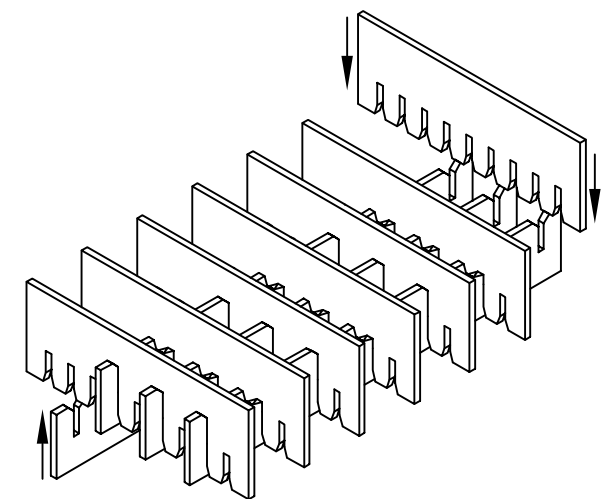
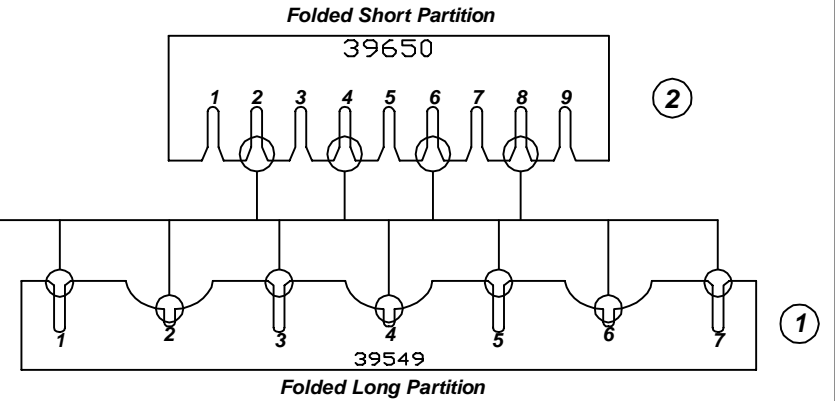


Assembly Instructions for - 37221



Use only the circled slots for partition assembly



Made in America

F/N ①	Part # 39549	Dimensions: 5-3/16" x 16-13/16"	Description: 411/422-LP Long Partition	Qty: 4
F/N ②	Part # 39650	Dimensions: 7-3/16" x 10"	Description: 411-SP Short Partition	Qty: 7

37221 - 30 Cell Inplant Handler
Cell Size - 3-1/2" x 2-1/4" x 1-3/4"

Notes:
 For use with the following storage container & lid:
 37508 - Storage Container
 37550 - Lid

PROTEKTIVE PAK
 13520 MONTE VISTA AVENUE, CHINO, CA 91710
 PHONE (909) 627-2578, FAX (909) 363-7331
 ProtectivePak.com



DRAWING NUMBER
IPH-37221

DATE
 Nov.
 2007