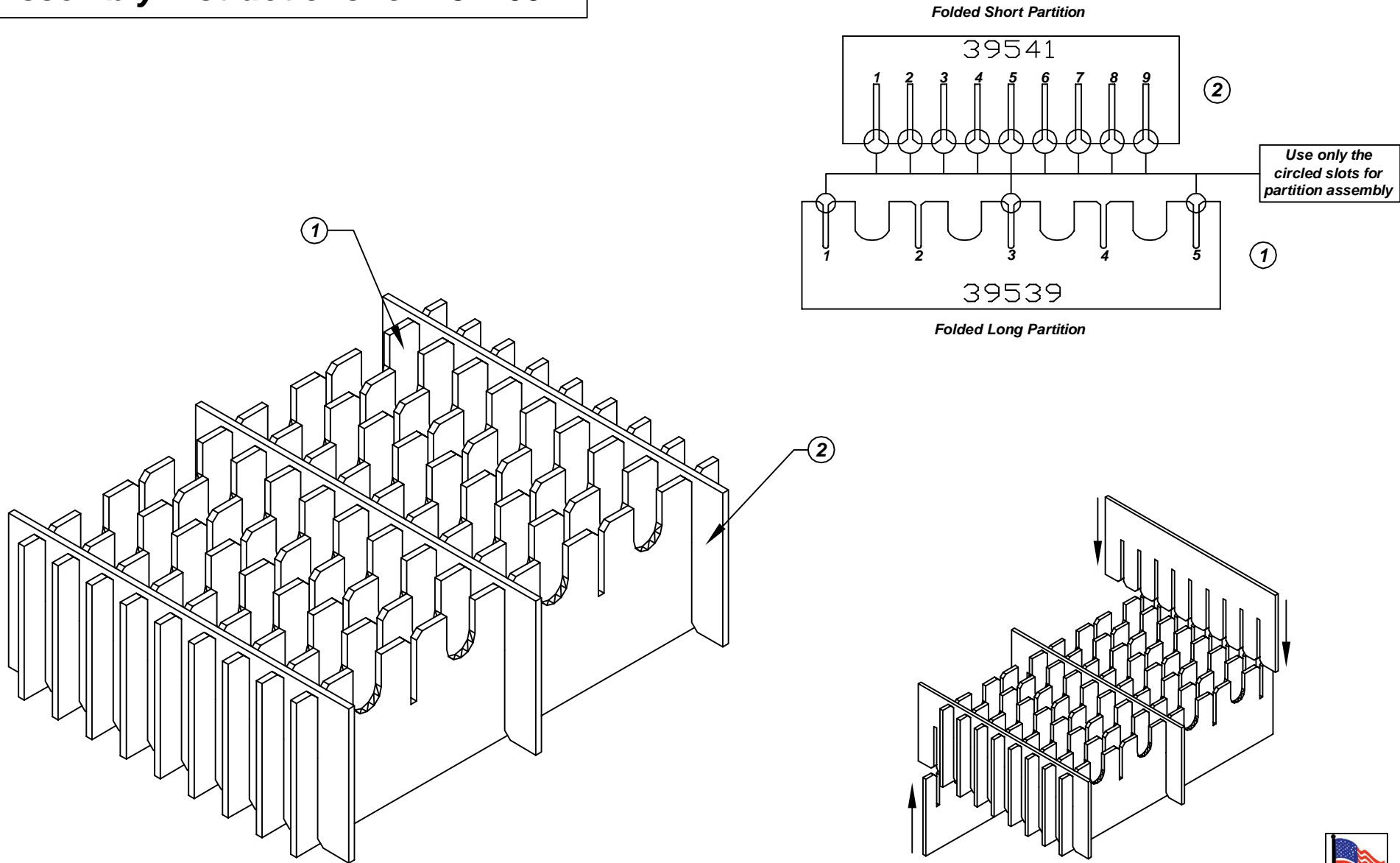


Assembly Instructions for - 37209



Made in America

F/N ①	Part # 39539	Dimensions: 12" x 18-5/8"	Description: 406/468-LP-20/40 Long Partition	Qty: 9
F/N ②	Part # 39541	Dimensions: 12" x 15"	Description: 406-SP-10 Short Partition	Qty: 3

37209 - 20 Cell Inplant Handler Cell Size - 5-7/8" x 8-1/8" x 1-1/4"

Notes:
For use with the following storage container & lid:
37506 - Storage Container
37554 - Lid

PROTEKTIVE PAK
13520 MONTE VISTA AVENUE, CHINO, CA 91710
PHONE (909) 627-2578, FAX (909) 363-7331
ProtectivePak.com



DRAWING NUMBER
IPH-37209

DATE
Nov. 2007