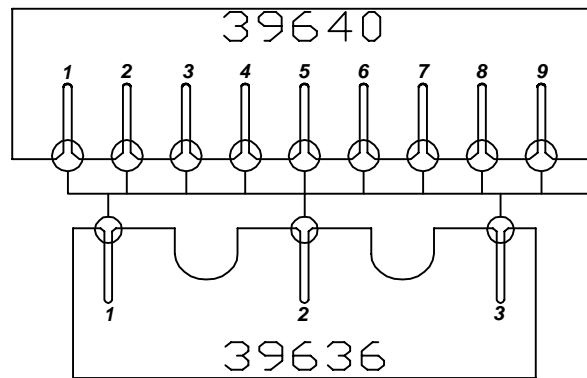


# Assembly Instructions for - 37202

Folded Long Partition

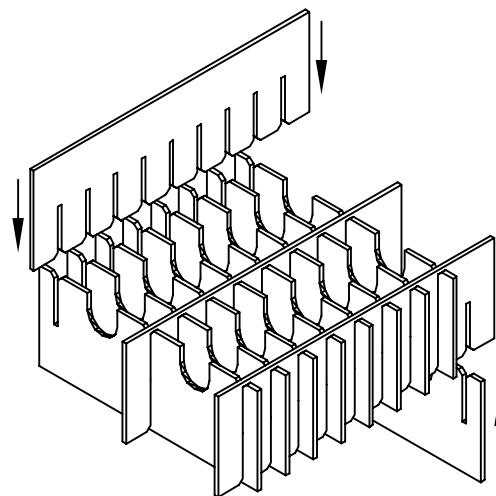
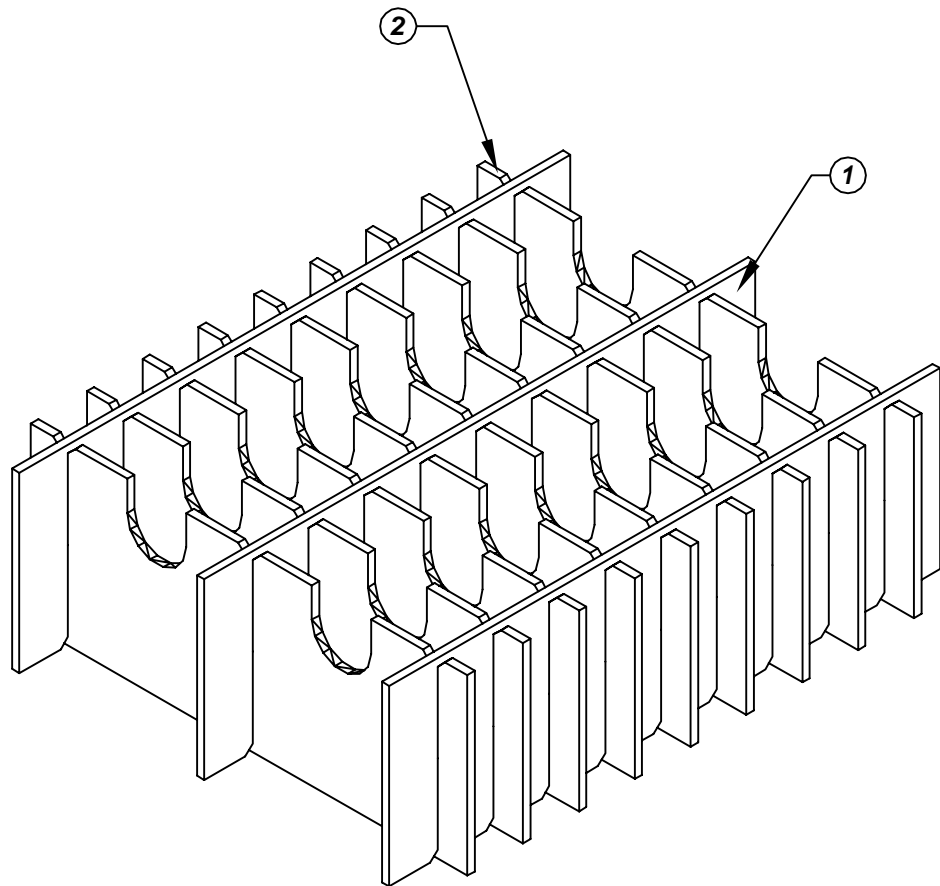


①

Use only the circled slots for partition assembly

②

Folded Short Partition



Made in America

| F/N | Part # | Dimensions:   | Description:                | Qty: |
|-----|--------|---------------|-----------------------------|------|
| ①   | 39640  | 12" x 18-5/8" | 406-HLP Long Partition      | 3    |
| ②   | 39636  | 12" x 14-3/4" | 406/468-HSP Short Partition | 9    |

## 37202 - 20 Cell Inplant Handler Cell Size - 5-7/8" x 6-1/4" x 1-5/8"

Notes:  
For use with the following storage container & lid:  
37506 - Storage Container  
37554 - Lid

PROTEKTIVE PAK  
13520 MONTE VISTA AVENUE, CHINO, CA 91710  
PHONE (909) 627-2578, FAX (909) 363-7331  
ProtektivePak.com



DRAWING NUMBER

**IPH-37202**

DATE

**Nov.  
2007**