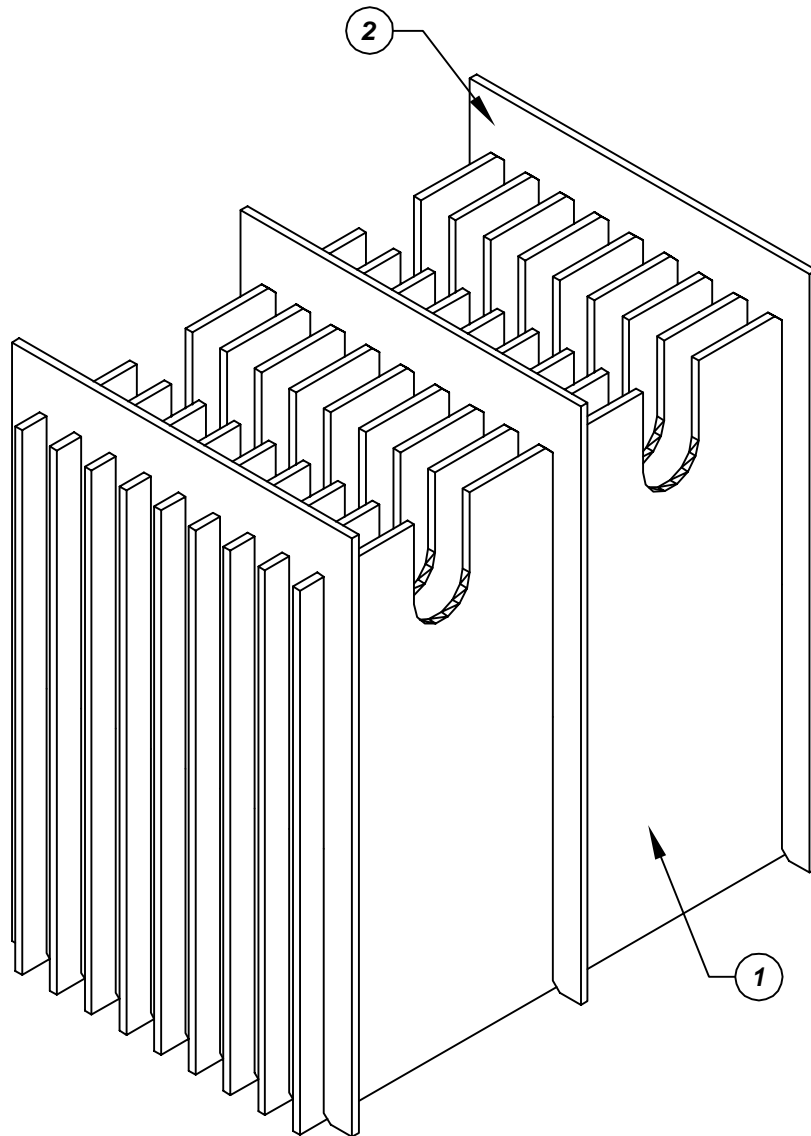
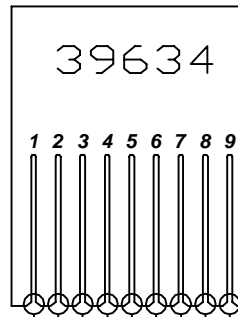


Assembly Instructions for - 37195

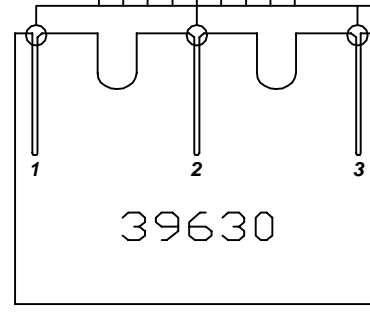


Folded Short Partition



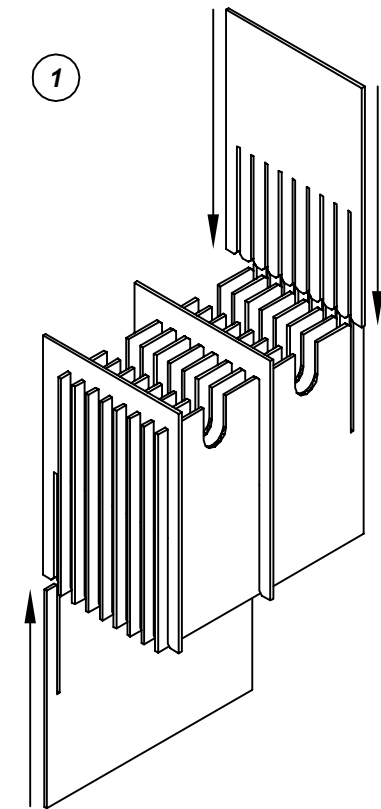
2

Use only the circled slots for partition assembly



Folded Long Partition

1



Made in America

F/N 1	Part # 39630	Dimensions: 34-1/8" x 18-3/8"	Description: 405/457-LP Long Partition	Qty: 9
F/N 2	Part # 39634	Dimensions: 37-11/16" x 12-1/4"	Description: 405-SP Short Partition	Qty: 3

37195 - 20 Cell Inplant Handler Cell Size - 18-3/4" x 7-3/4" x 1"

Notes:
For use with the following storage container & lid:
37505 - Storage Container
37553 - Lid

PROTEKTIVE PAK
13520 MONTE VISTA AVENUE, CHINO, CA 91710
PHONE (909) 627-2578, FAX (909) 363-7331
ProtektivePak.com



DRAWING NUMBER
IPH-37195

DATE
Dec.
2007